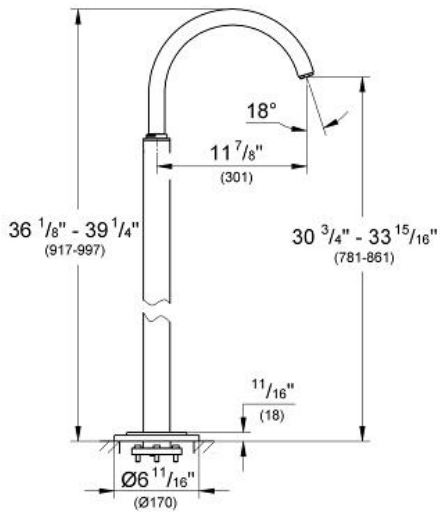
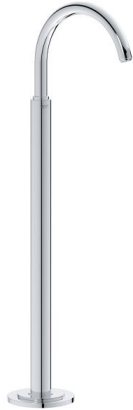


ATRIO  
Tub Spout  
MODEL # 13216001

Pure Freude an Wasser



GROHE America, Inc | 200 North Gary Avenue, Suite G, Roselle, IL 60172  
Phone: +1 (800) 444-7643 | Fax: +1 (800) 225-2778 | us-customerservice@grohe.com



**Product Description:**  
Tub Spout

**Standard Specification:**

- Floor standing tub filler
- Requires Rough-In Set (29 038 001) (sold separately)
- Swivel tubular C-spout with flow control
- **GROHE StarLight** finish
- Min. recommended pressure: 15 psi
- Max Flow Rate 7 gpm at 45 psi (26.5 L/min)

**Applicable Codes & Standards:**

- Energy Policy Act of 1992
- ASME A112.18.1/CSA B125.1

**Color:**

- 13216001 001 chrome