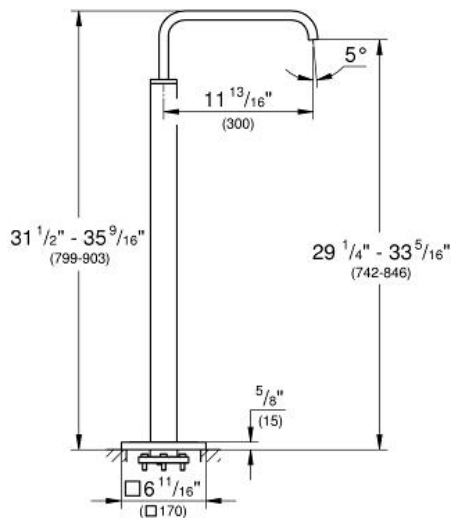
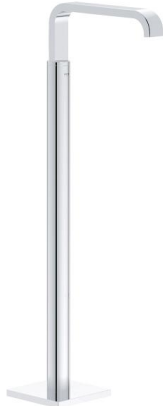


ALLURE  
Tub Spout  
MODEL # 13218000

Pure Freude an Wasser



GROHE America, Inc | 200 North Gary Avenue, Suite G, Roselle, IL 60172  
Phone: +1 (800) 444-7643 | Fax: +1 (800) 225-2778 | us-customerservice@grohe.com



**Product Description:**  
Tub Spout

**Standard Specification:**

- Floor standing tub filler
- Final installation set for: 45 984
- Requires Rough-In Set (29 038 001) (sold separately)
- **GROHE StarLight** finish
- Spout with flow control
- $11 \frac{13}{16}''$  Spout reach
- Min. recommended pressure: 15 psi
- Max Flow Rate 7 gpm at 45 psi (26.5 L/min)

**Applicable Codes & Standards:**

- Energy Policy Act of 1992
- ASME A112.18.1/CSA B125.1
- US Federal and State material regulations

**Color:**

- 13218000 000 chrome