

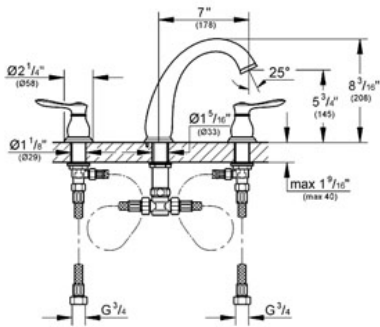
# PARKFIELD 3-H Roman Tub

MODEL # 25152

*Pure Freude an Wasser*

**GROHE**

GROHE America, Inc | 200 North Gary Avenue, Suite G, Roselle, IL 60172  
Phone: +1 (800) 444-7643 | Fax: +1 (800) 225-2778 | us-customerservice@grohe.com



## ADA

### Product Description: 3-H Roman Tub

#### Standard Specification:

- GROHE StarLight® finish
- Spout with flow control
- 1/2" ceramic cartridge (90° turn)
- Pressure resistant flexible connection hoses (between spout and side valves)
- Max Flow Rate 13.2 gpm at 45 psi (50 L/min)

#### Applicable Codes & Standards:

- Energy Policy Act of 1992
- ASME A112.18.1/CSA B125.1
- ICC/ANSI A117.1

#### Color:

- 25152 000 chrome
- 25152 EN0 Brushed Nickel