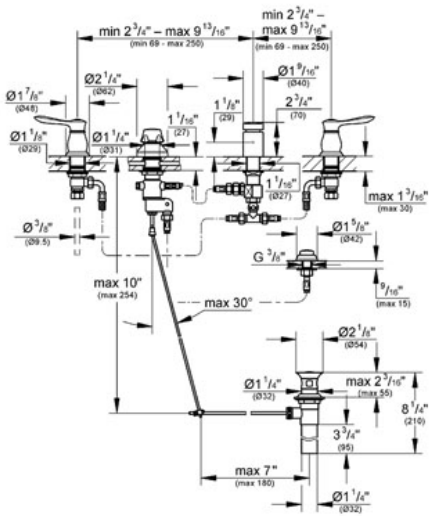


PARKFIELD
Wideset bidet
MODEL # 24033

Pure Freude an Wasser



GROHE America, Inc | 200 North Gary Avenue, Suite G, Roselle, IL 60172
Phone: +1 (800) 444-7643 | Fax: +1 (800) 225-2778 | us-customerservice@grohe.com



ADA

Product Description:
Wideset bidet

- Standard Specification:**
- GROHE StarLight[®] finish
 - 1/2" ceramic cartridge (90° turn)
 - Vacuum breaker
 - Diverter for bidet spray / rim flushing
 - Pressure resistant flexible connection hoses (between spout and side valves)

Applicable Codes & Standards:

- Energy Policy Act of 1992
- ASME A112.18.1/CSA B125.1
- ICC/ANSI A117.1

Color:

- 24033 000 chrome
- 24033 EN0 Brushed Nickel