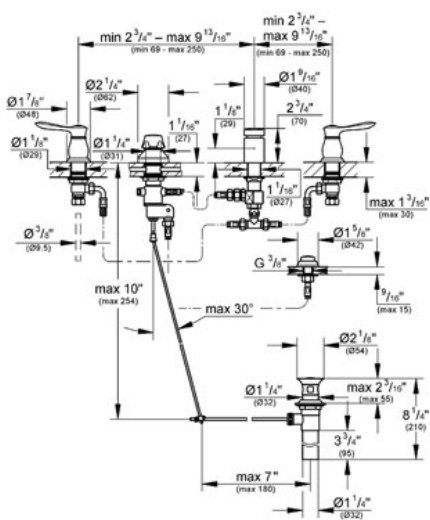


PARKFIELD  
Wideset bidet  
MODEL # 24033

Pure Freude an Wasser



GROHE America, Inc | 200 North Gary Avenue, Suite G, Roselle, IL 60172  
Phone: +1 (800) 444-7643 | Fax: +1 (800) 225-2778 | us-customerservice@grohe.com



ADA

**Product Description:**  
Wideset bidet

**Standard Specification:**

- GROHE StarLight® finish
- 1/2" ceramic cartridge (90° turn)
- Vacuum breaker
- Diverter for bidet spray / rim flushing
- Pressure resistant flexible connection hoses (between spout and side valves)

**Applicable Codes & Standards:**

- Energy Policy Act of 1992
- ASME A112.18.1/CSA B125.1
- ICC/ANSI A117.1

**Color:**

- 24033 000 chrome
- 24033 EN0 Brushed Nickel