

KENSINGTON

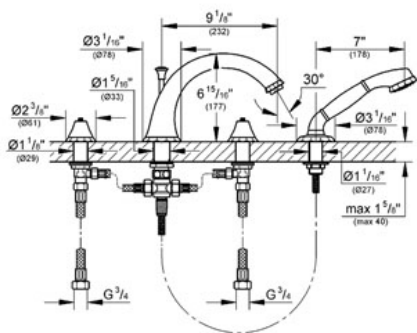
Four-hole bath combination

MODEL # 25073

Pure Freude an Wasser



GROHE America, Inc | 200 North Gary Avenue, Suite G, Roselle, IL 60172
 Phone: +1 (800) 444-7643 | Fax: +1 (800) 225-2778 | us-customerservice@grohe.com



Product Description:

Four-hole bath combination

Standard Specification:

- GROHE StarLight® finish
- Diverter bath spout with flow control
- Side valves
- 3/4" ceramic cartridges (90° turn)
- Handshower
- Shower hose (28 102)
- 79"
- Handles sold separately
- Pressure resistant flexible connection hoses (between spout and side valves)
- Round Handles 18 086 000 & 18 086 EN0 (sold separately)
- Swarovski® Crystal Handles 18 086 VP0 (sold separately)
- Lever Handles 18 087 000 & 18 087 EN0 (sold separately)
- Max Flow Rate 13.2 gpm (50 L/min)

Applicable Codes & Standards:

- Energy Policy Act of 1992
- ASME A112.18.1/CSA B125.1

Color:

- 25073 000 chrome
- 25073 EN0 Brushed Nickel

