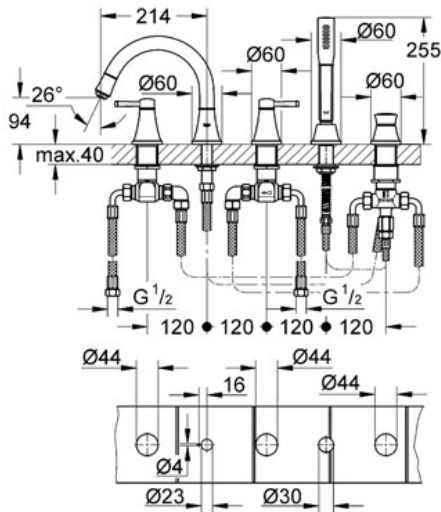


GRANDERA
5-Hole Bath Combination
MODEL # 19919

Pure Freude an Wasser



GROHE America, Inc | 200 North Gary Avenue, Suite G, Roselle, IL 60172
Phone: +1 (800) 444-7643 | Fax: +1 (800) 225-2778 | us-customerservice@grohe.com



ADA

Product Description:
5-Hole Bath Combination

Standard Specification:

- GROHE StarLight® finish
- 3/4" ceramic cartridges (90° turn)
- Pre-assembled spout mounting
- OHM operating element
- Bath spout with flow control and diverter
- Grandera hand shower 7,6 l
- Metal shower hose 59"
- Connection for shower hose
- Stainless Steel Braided Flexible Supplies
- **Protected against backflow**
- Can be used with 29 037 000
- Min. recommended pressure 15 psi
- Max Flow Rate 2.0 gpm (handshower)

Applicable Codes & Standards:

- Energy Policy Act of 1992
- ASME A112.18.1/CSA B125.1
- ICC/ANSI A117.1

Color:

- 19919 000 chrome
- 19919 EN0 Brushed Nickel