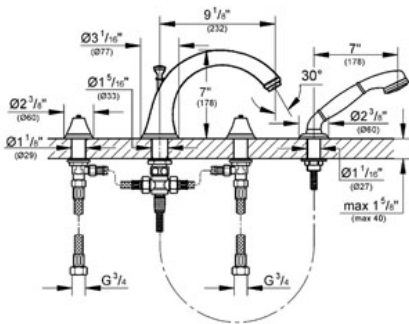


GENEVA
Four-hole bath combination 1/2"
MODEL # 25506

Pure Freude an Wasser



GROHE America, Inc | 200 North Gary Avenue, Suite G, Roselle, IL 60172
Phone: +1 (800) 444-7643 | Fax: +1 (800) 225-2778 | us-customerservice@grohe.com



Product Description:
Four-hole bath combination 1/2"

Standard Specification:

- GROHE StarLight® finish
 - Handles sold separately
 - 10" bath tub spout
 - High version
 - 1/2" valves
- Geneva hand shower
- Shower hose (28 102)
 - 79"
 - Pressure resistant flexible connection hoses (between spout and side valves)
 - For Geneva cross and lever handles (18 733 / 18 734)
 - Max Flow Rate 2.5 gpm at 80 psi (9.5 L/min), 13 gpm at 45 psi (49.2 L/min) for Tub Filler

Applicable Codes & Standards:

- Energy Policy Act of 1992
- NSF 61
- ASME A112.18.1/CSA B125.1

Color:

- 25506 000 chrome
- 25506 BE0 Sterling inf
- 25506 EN0 Brushed Nickel
- 25506 ZB0 Oil Rubbed Bronze

