

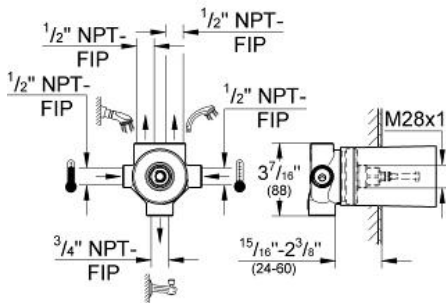
5-Port Rough-in Valve

MODEL # 29714000

Pure Freude an Wasser



GROHE America, Inc | 200 North Gary Avenue, Suite G, Roselle, IL 60172
 Phone: +1 (800) 444-7643 | Fax: +1 (800) 225-2778 | us-customerservice@grohe.com



Product Description: 5-Port Rough-in Valve

Standard Specification:

- 1/2" concealed body
- Without finishing trim set
- Wall installation
- With ceramic sealing disk
- 1/2" hot and cold connection
- 2 x 1/2" outlets
- 3/4" bath outlet
- Protection sleeve
- 1/2" NPT Male Threads
- Max Flow Rate 18.5 gpm at 45 psi

Applicable Codes & Standards:

- Energy Policy Act of 1992
- ASME A112.18.1/CSA B125.1

Color:

- 29714000 000 no colour

