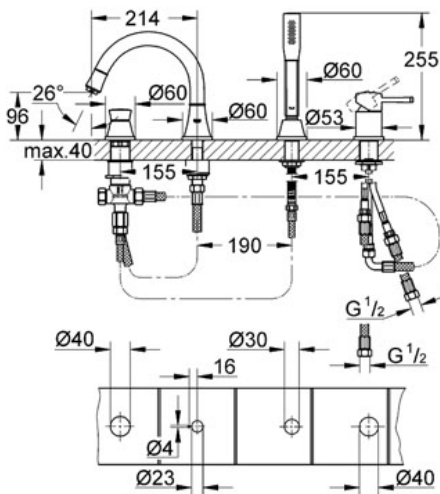


# GRANDERA Roman Tub Filler with Hand Shower

MODEL # 19936

GROHE America, Inc | 200 North Gary Avenue, Suite G, Roselle, IL 60172  
Phone: +1 (800) 444-7643 | Fax: +1 (800) 225-2778 | us-customerservice@grohe.com

Pure Freude an Wasser



## ADA

### Product Description: Roman Tub Filler with Hand Shower

#### Standard Specification:

- GROHE StarLight® finish
- GROHE SilkMove® ceramic cartridge
- Consisting of:
  - Pre-assembled spout mounting
  - OHM operating element
  - Bath spout with flow control and diverter
  - Grandera hand shower 7,6 l
  - Metal shower hose 59"
  - Connection for shower hose
  - Stainless Steel Braided Flexible Supplies
- **Protected against backflow**
- Can be used with 29 037 000
- Min. recommended pressure 15 psi
- Max Flow Rate 2.0 gpm (handshower)

#### Applicable Codes & Standards:

- Energy Policy Act of 1992
- ASME A112.18.1/CSA B125.1
- ICC/ANSI A117.1

#### Color:

- 19936 000 chrome
- 19936 EN0 Brushed Nickel

