

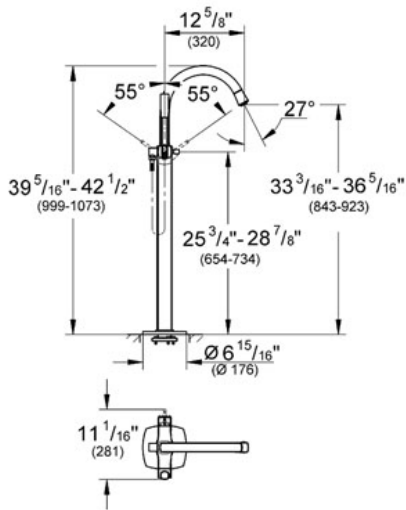
GRANDERA Single-lever Bath Mixer 1/2"

MODEL # 23318

Pure Freude an Wasser



GROHE America, Inc | 200 North Gary Avenue, Suite G, Roselle, IL 60172
Phone: +1 (800) 444-7643 | Fax: +1 (800) 225-2778 | us-customerservice@grohe.com



ADA

Product Description:
Single-lever Bath Mixer 1/2"

Standard Specification:

- GROHE StarLight® finish
- GROHE SilkMove® ceramic cartridge
- Floor standing tub filler
- Rough-In Set 29 038 sold separately
- Automatic diverter: bath/shower
- Solid Brass construction
- projection $12 \frac{9}{16}''$
- 1/2" integrated non-return valves in the shower outlet
- Grandera hand shower 7,6 l
- Metal shower hose
- 49"
- **Protected against backflow**
- Min. recommended pressure 15 psi
- Max Flow Rate 2.0 gpm (handshower)

Applicable Codes & Standards:

- Energy Policy Act of 1992
- ASME A112.18.1/CSA B125.1
- ICC/ANSI A117.1

Color:

- 23318 000 chrome
- 23318 EN0 Brushed Nickel

