

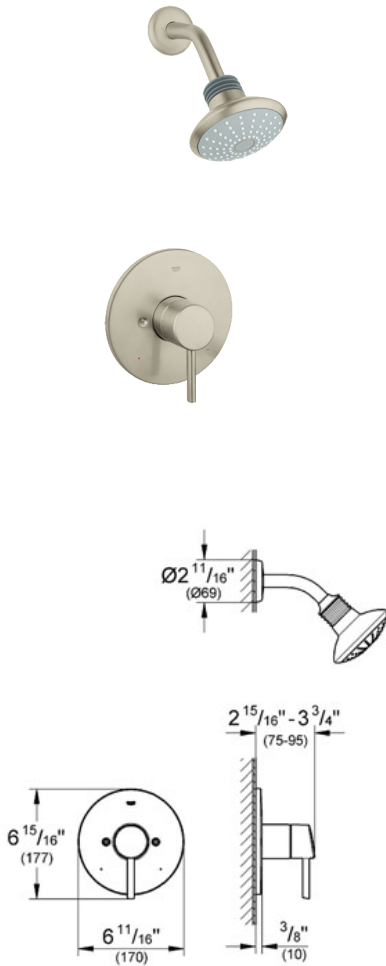
CONCETTO Pressure Balance Valve Shower Combination

MODEL # 35010

GROHE America, Inc | 200 North Gary Avenue, Suite G, Roselle, IL 60172
Phone: +1 (800) 444-7643 | Fax: +1 (800) 225-2778 | us-customerservice@grohe.com

Pure Freude an Wasser

GROHE



ADA

Product Description:
Pressure Balance Valve Shower Combination

Standard Specification:

- GROHE StarLight® finish
- Set for final installation for
- For use with Grohsafe Rough-In Valve 35 016 000
 - Head shower (27 545 000)
 - Shower arm (27 414)
 - Bath spout (13 274 001)

Applicable Codes & Standards:

- Energy Policy Act of 1992
- ASME A112.18.1/CSA B125.1
- ICC/ANSI A117.1

Color:

- 35010 001 chrome
- 35010 EN1 Brushed Nickel inf