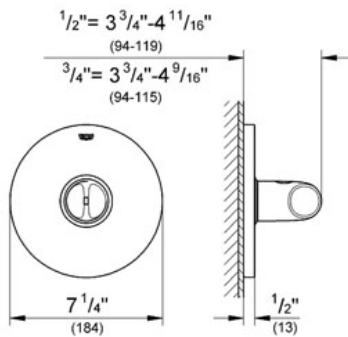


VERIS
Thermostat valve
MODEL # 19366

Pure Freude an Wasser



GROHE America, Inc | 200 North Gary Avenue, Suite G, Roselle, IL 60172
Phone: +1 (800) 444-7643 | Fax: +1 (800) 225-2778 | us-customerservice@grohe.com



Product Description:
Thermostat valve

Standard Specification:

- GROHE StarLight® finish
- GROHE SafeStop Plus integrated temperature limiter at max 122°F (50°C)
- Wall escutcheon with GROHE SmartFix (concealed mounting kit for escutcheon and shaft)
- For use with 1/2" Thermostatic Rough-In Valve 34 123
- Without concealed body
- Grip metal handle

Applicable Codes & Standards:

- Energy Policy Act of 1992
- ASME A112.18.1/CSA B125.1

Color:

- 19366 000 chrome