

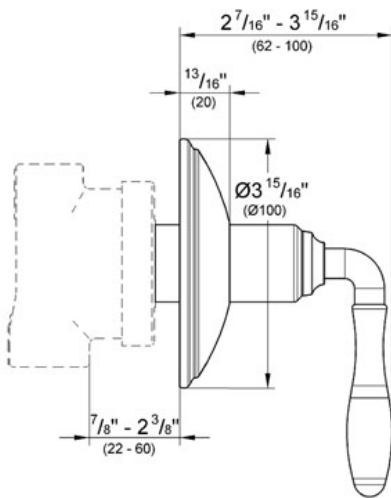
# SEABURY 3-Way Diverter

MODEL # 19221

Pure Freude an Wasser

GROHE

GROHE America, Inc | 200 North Gary Avenue, Suite G, Roselle, IL 60172  
Phone: +1 (800) 444-7643 | Fax: +1 (800) 225-2778 | us-customerservice@grohe.com



ADA

### Product Description: 3-Way Diverter

#### Standard Specification:

- GROHE StarLight® finish
- Lever handle
- Set for final installation (for 29 712)
- Without concealed body
- Adjustable installation depth
- 7/8" - 2 3/8"

#### Applicable Codes & Standards:

- Energy Policy Act of 1992
- ASME A112.18.1/CSA B125.1
- ICC/ANSI A117.1

#### Color:

- 19221 000 chrome
- 19221 BE0 Sterling inf
- 19221 EN0 Brushed Nickel
- 19221 ZB0 Oil Rubbed Bronze