

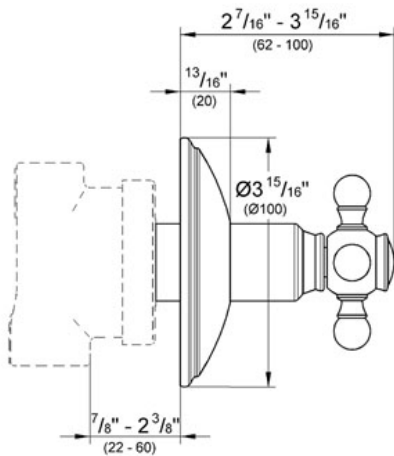
GENEVA 3-Way Diverter

MODEL # 19219

Pure Freude an Wasser

GROHE

GROHE America, Inc | 200 North Gary Avenue, Suite G, Roselle, IL 60172
Phone: +1 (800) 444-7643 | Fax: +1 (800) 225-2778 | us-customerservice@grohe.com



Product Description: 3-Way Diverter

Standard Specification:

- GROHE StarLight® finish
- With cross handle
- Set for final installation (for 29 712)
- Without concealed body
- Adjustable installation depth
- 7/8" - 2 3/8"
- For color matching caps to replace the standard white caps (see item 45 953)

Applicable Codes & Standards:

- Energy Policy Act of 1992
- ASME A112.18.1/CSA B125.1

Color:

- 19219 000 chrome
- 19219 BE0 Sterling inf
- 19219 EN0 Brushed Nickel
- 19219 ZB0 Oil Rubbed Bronze