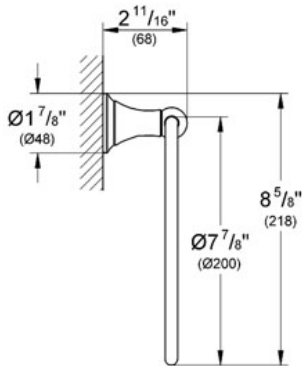


SEABURY  
Towel Ring  
MODEL # 40158

*Pure Freude an Wasser*



GROHE America, Inc | 200 North Gary Avenue, Suite G, Roselle, IL 60172  
Phone: +1 (800) 444-7643 | Fax: +1 (800) 225-2778 | us-customerservice@grohe.com



**Product Description:**  
Towel Ring

- Standard Specification:**
- GROHE StarLight® finish

- Applicable Codes & Standards:**
- Energy Policy Act of 1992
  - ASME A112.18.1/CSA B125.1

- Color:**
- 40158 000 chrome
  - 40158 BE0 Sterling inf
  - 40158 EN0 Brushed Nickel
  - 40158 ZB0 Oil Rubbed Bronze