

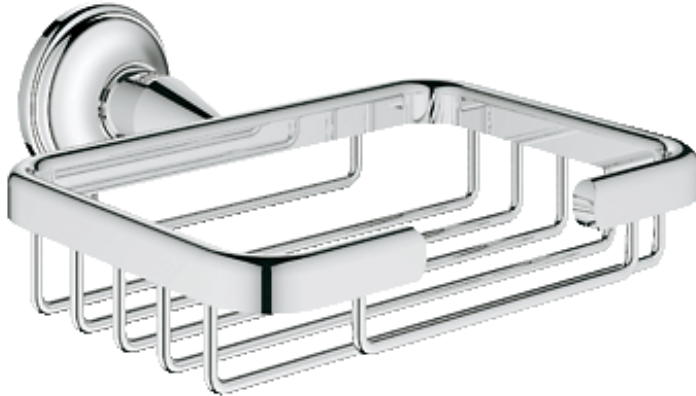
ESSENTIALS AUTHENTIC Basket

MODEL # 40659

Pure Freude an Wasser



GROHE America, Inc | 200 North Gary Avenue, Suite G, Roselle, IL 60172
Phone: +1 (800) 444-7643 | Fax: +1 (800) 225-2778 | us-customerservice@grohe.com



Product Description:
Basket

Standard Specification:

Color:

- 40659 000 chrome
- 40659 EN0 Brushed Nickel

