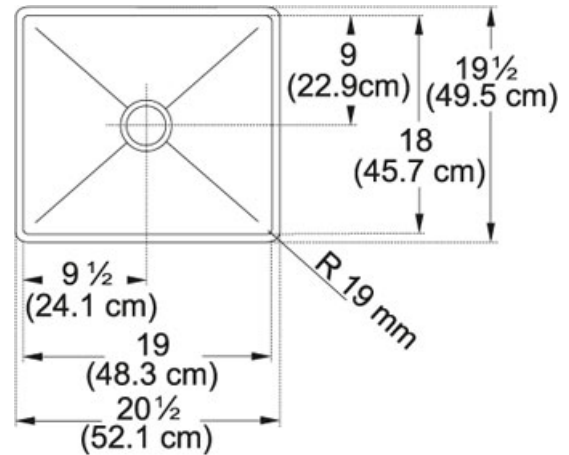


Professional Series PSX1101912 Stainless Steel |

122.0170.028

FAMILY : **Sinks** | SERIE : **Professional Series** | MODEL : **PSX1101912** | FINISH : **Stainless Steel** | INSTALLATION TYPE : **Undermount** | STYLE : **Contemporary**



Professional Series sinks are undermounted for an immaculate countertop. If an authentic restaurant kitchen is your fancy, the Professional Series is the real thing. It is designed with sturdy commercial-grade stainless (16-gauge) and is deep enough to accommodate the bulky equipment used by the serious cook.

TECHNICAL DATA

Minimum Cabinet Size	24"
Drain Opening	3 1/2"
Length overall	20 1/2"
Width overall	19 1/2"
Length of large bowl	19"
Width of large bowl	19"
Depth of large bowl	11 7/16"
Number of Bowls	1
Type of Material	16 Gauge Stainless Steel
Cut-Out Template	Yes
Installation Clips	Yes
Where to buy	Showroom
Where to buy	Showroom

Professional Series PSX1101912 Stainless Steel |
122.0170.028

FAMILY : Sinks | SERIE : Professional Series | MODEL : PSX1101912 | FINISH : Stainless Steel | INSTALLATION TYPE :
Undermount | STYLE : Contemporary

RECOMMENDED



115.0190.774



120.0296.741



119.0068.281



134.0297.202



133.0171.120



119.0066.616
