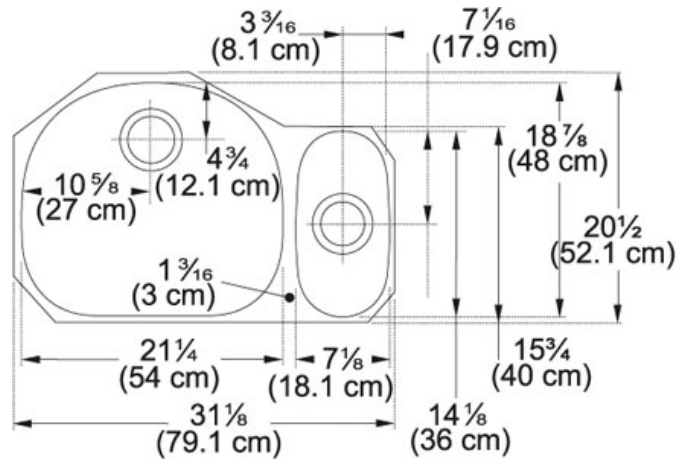


Prestige PRX160 Stainless Steel | 122.0035.100

FAMILY : Sinks | SERIE : Prestige | MODEL : PRX160 | FINISH : Stainless Steel | INSTALLATION TYPE : Undermount | STYLE : Transitional



The Prestige series is available as a basic model or as a step up with the additional function of the integral ledge. The integral ledge allows you to raise the work level to a comfortable height without sacrificing the benefits of a deep bowl.

TECHNICAL DATA

Minimum Cabinet Size	36"
Drain Opening	3 1/2"
Length overall	31 1/8"
Width overall	20 1/2"
Depth Overall	9 1/16"
Length of large bowl	21 1/4"
Width of large bowl	18 7/8"
Depth of large bowl	9 1/16"
Length of small bowl	7 1/8"
Width of small bowl	14 1/8"
Depth of small bowl	5 1/2"
Number of Bowls	2
Cutout Length	29 15/16"
Cutout Width	19 5/16"
Type of Material	18 Gauge Stainless Steel
Cut-Out Template	Yes
Installation Clips	Yes
Franke Integral Ledge	BUILT-IN
Where to buy	Showroom
Where to buy	Showroom

Prestige PRX160 Stainless Steel | 122.0035.100

FAMILY : Sinks | SERIE : Prestige | MODEL : PRX160 | FINISH : Stainless Steel | INSTALLATION TYPE : Undermount | STYLE : Transitional

RECOMMENDED



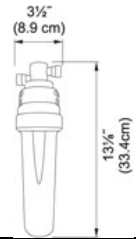
115.0355.845



120.0355.523



134.0297.203



133.0204.098



119.0066.616
