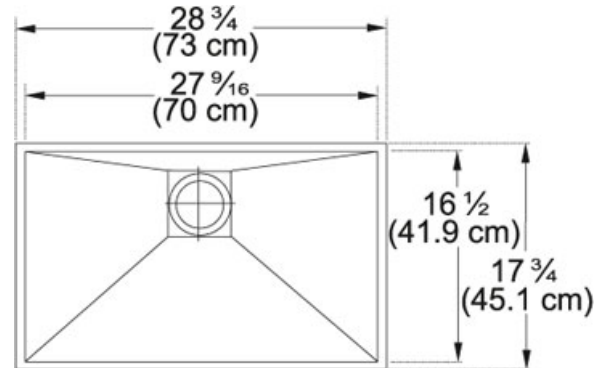


Peak PKX11028 Stainless Steel | 122.0074.954

FAMILY : Sinks | SERIE : Peak | MODEL : PKX11028 | FINISH : Stainless Steel | INSTALLATION TYPE : Undermount | STYLE : Contemporary



Exceedingly attractive. Exceptionally crafted in 16 gauge stainless steel. The perfect harmonization of minimalist style and maximum performance makes the Peak sink truly innovative. Each element is fashioned to excel in both form and function to create complete design symmetry. Aesthetically pleasing and remarkably functional, the Peak sink collection brings unparalleled style and utility to any kitchen.

TECHNICAL DATA

| | |
|-----------------------|--------------------------|
| Minimum Cabinet Size | 33" |
| Drain Opening | 3 1/2" |
| Length overall | 28 3/4" |
| Width overall | 17 3/4" |
| Length of large bowl | 27 9/16" |
| Width of large bowl | 16 1/2" |
| Depth of large bowl | 9 5/8" |
| Number of Bowls | 1 |
| Cutout Length | 27 9/16" |
| Cutout Width | 16 9/16" |
| Type of Material | 16 Gauge Stainless Steel |
| Cut-Out Template | Yes |
| Installation Clips | Yes |
| Franke Integral Ledge | BUILT-IN |
| Where to buy | Showroom |
| Where to buy | Showroom |

Peak PKX11028 Stainless Steel | 122.0074.954

FAMILY : Sinks | SERIE : Peak | MODEL : PKX11028 | FINISH : Stainless Steel | INSTALLATION TYPE : Undermount | STYLE : Contemporary

RELATED PARTS



112.0074.976



122.0074.951



122.0074.944



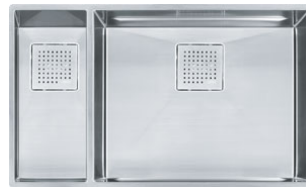
122.0074.938



122.0074.956



122.0192.590



122.0074.965



122.0080.011

RECOMMENDED



115.0298.341



119.0355.521



119.0068.283



134.0297.202



133.0171.120

119.0066.616