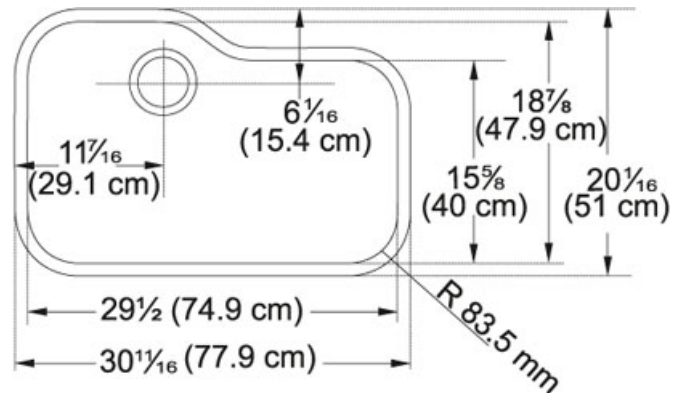


## Orca ORX110 Stainless Steel | 122.0035.127

FAMILY : Sinks | SERIE : Orca | MODEL : ORX110 | FINISH : Stainless Steel | INSTALLATION TYPE : Undermount | STYLE : Traditional



The great stainless sink. Large and deep with a new sophistication, Orca features size and workability with a softer aesthetic. Rimmed with the unique Franke integral ledge and finished with the sparkle of fine workmanship and the highest quality stainless steel.

### TECHNICAL DATA

Minimum Cabinet Size	36"
Drain Opening	3 1/2"
Length overall	30 11/16"
Width overall	20 1/16"
Length of large bowl	29 1/2"
Width of large bowl	18 7/8"
Depth of large bowl	9 1/16"
Cutout Length	29 1/2"
Cutout Width	18 3/4"
Type of Material	18 Gauge Stainless Steel
Cut-Out Template	Yes
Installation Clips	Yes
Franke Integral Ledge	BUILT-IN
Where to buy	Showroom
Where to buy	Showroom

# Orca ORX110 Stainless Steel | 122.0035.127

FAMILY : Sinks | SERIE : Orca | MODEL : ORX110 | FINISH : Stainless Steel | INSTALLATION TYPE : Undermount | STYLE : Traditional

---

## RECOMMENDED

---



---

115.0355.504

---



---

120.0355.512

---



---

119.0307.938

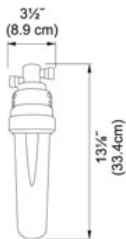
---



---

134.0297.202

---



---

133.0204.098

---



---

119.0066.616

---