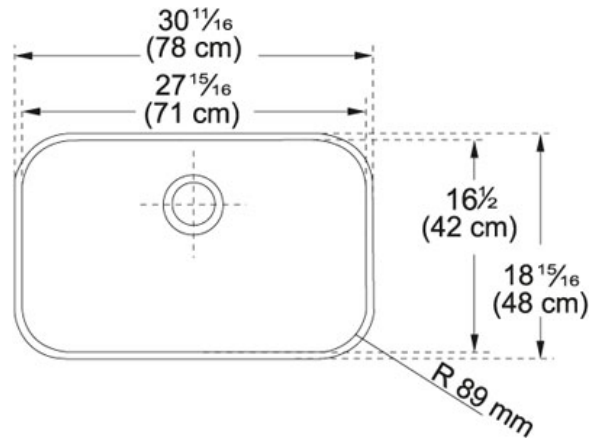


# SPECIFICATION SHEET

PRODUCT FAMILY: Sinks FINISH: Fireclay White SERIES: OCEANIA MODEL: OAK110



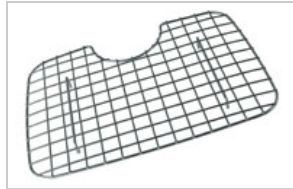
## Product Information

<b>FUN#</b>	126.0079.814
<b>US Part Number</b>	OAK110WH
<b>Minimum Cabinet Size</b>	33"
<b>Drain Opening</b>	3 1/2"
<b>Outer Dimensions</b>	31"x18 15/16"
<b>Bowl Size</b>	27 15/16"x16 1/2"x9 7/8"
<b>Number of Bowls</b>	1
*	Dimensions may vary by 2% (plus or minus) due to material attributes and firing process.
<b>Type of Material</b>	Fireclay

**Accessories**



112.0046.923



112.0066.281