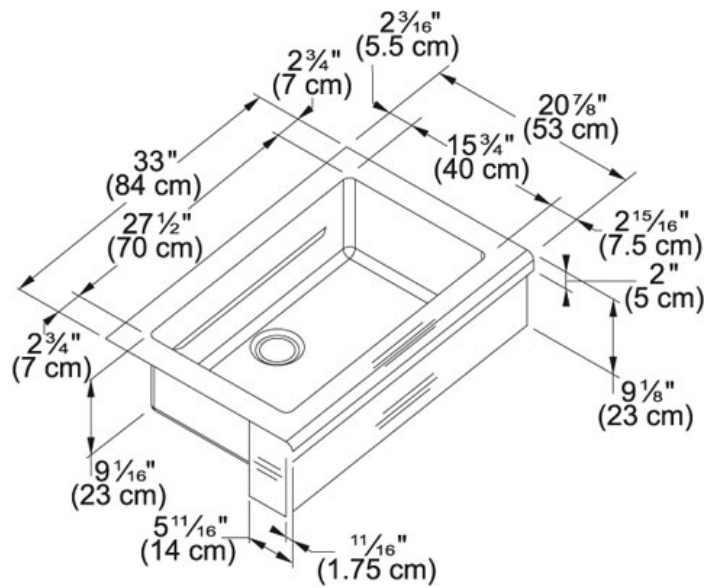


SPECIFICATION SHEET

PRODUCT FAMILY: Sinks FINISH: Stainless Steel SERIES: MANOR HOUSE MODEL: MHX-KBX11028



Product Information

FUN#	123.0191.582
US Part Number	MHX-KBXX11028
Franke Integral Ledge	built-in
Minimum Cabinet Size	33"
Drain Opening	3 1/2"
Outer Dimensions	33"x20 7/8"
Bowl Size	27 9/16"x15 3/4"x9 1/16"
Number of Bowls	1
Type of Material	18/16 ga Stainless Steel

Accessories



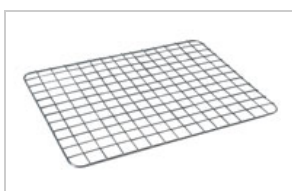
112.0014.121



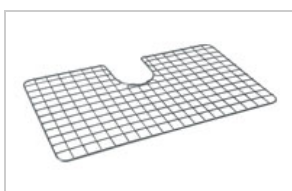
112.0014.123



112.0014.124



112.0083.068



112.0083.069