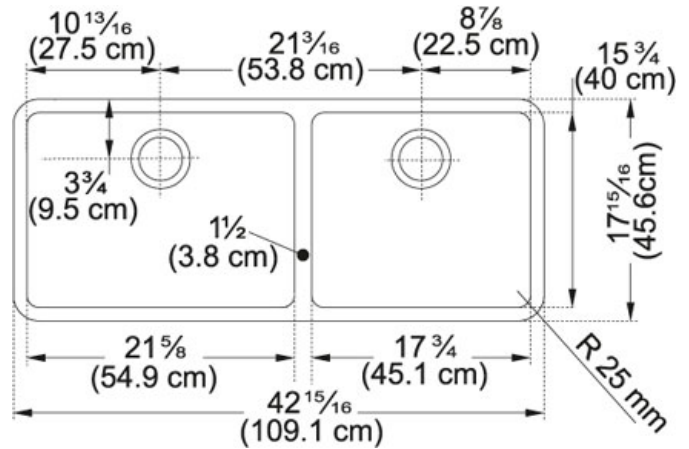


Kubus KBX12043 Stainless Steel | 122.0073.551

FAMILY : Sinks | SERIE : Kubus | MODEL : KBX12043 | FINISH : Stainless Steel | INSTALLATION TYPE : Undermount | STYLE : Transitional



Kubus models feature straight lines and tight radius corners for a fresh new aesthetic. Available in double undermount configurations or as individual sinks.

TECHNICAL DATA

Minimum Cabinet Size	48"
Drain Opening	3 1/2"
Length overall	42 15/16"
Width overall	17 15/16"
Length of large bowl	21 5/8"
Width of large bowl	17 15/16"
Depth of large bowl	9 1/16"
Length of small bowl	17 3/4"
Width of small bowl	17 15/16"
Depth of small bowl	9 1/16"
Number of Bowls	2
Cutout Length	21 7/8"
Cutout Width	16 3/4"
Type of Material	18 Gauge Stainless Steel
Cut-Out Template	Yes
Installation Clips	Yes
Franke Integral Ledge	BUILT-IN
Where to buy	Showroom
Where to buy	Showroom

Kubus KBX12043 Stainless Steel | 122.0073.551

FAMILY : Sinks | SERIE : Kubus | MODEL : KBX12043 | FINISH : Stainless Steel | INSTALLATION TYPE : Undermount | STYLE : Transitional

RECOMMENDED



115.0298.341



120.0355.523



119.0068.281



134.0297.202



133.0171.120



119.0066.616
