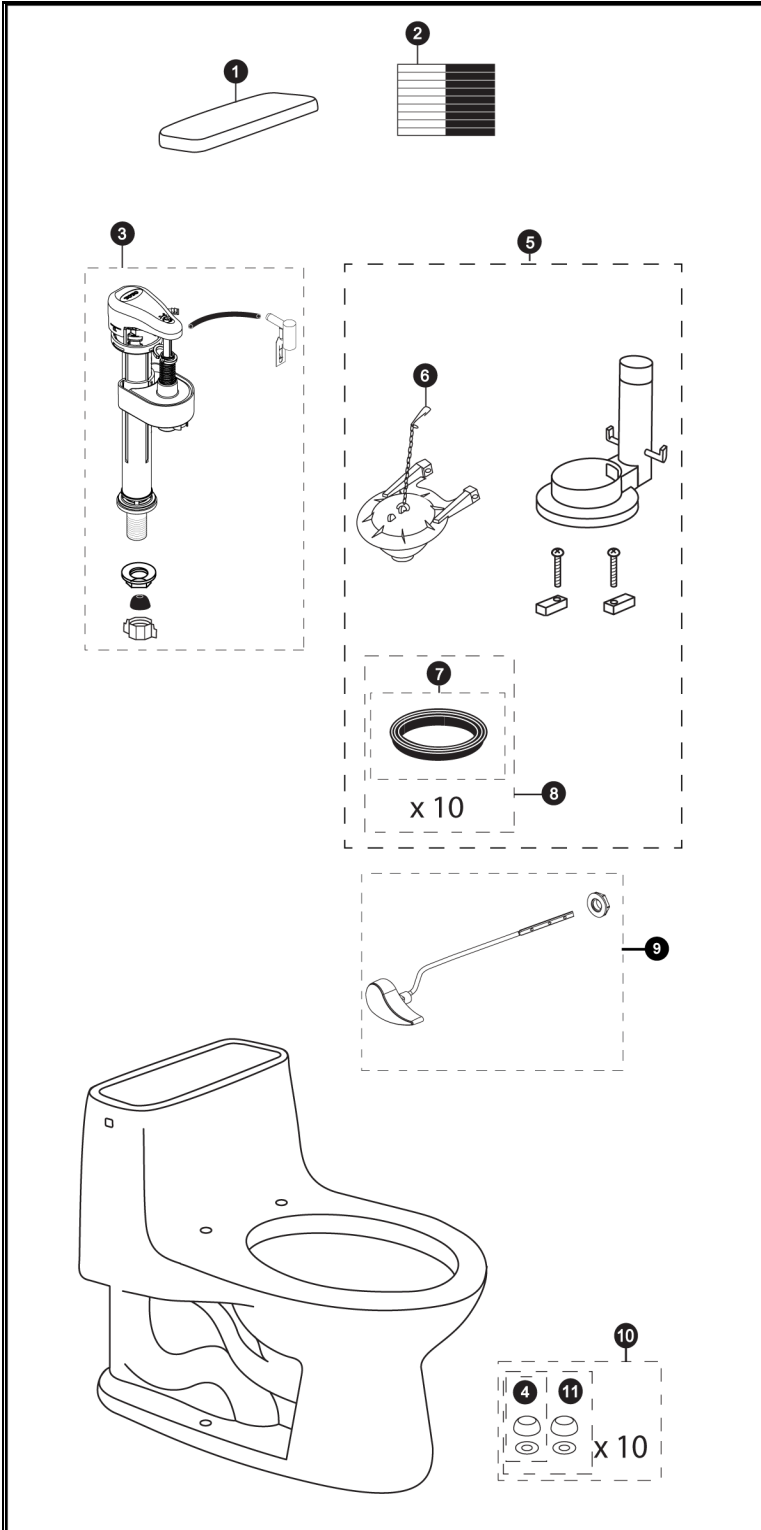


Ultramax®
1.6 Gpf Toilet, Elongated,
G-Max®, ADA, 12" Rough-In



Items	Parts	Description
1	TCU854CRS#01	Tank Lid w/ Velcro Tape - Cotton
	TCU854CRS#03	Tank Lid w/ Velcro Tape - Bone
	TCU854CRS#11	Tank Lid w/ Velcro Tape - Colonial White
	TCU854CRS#12	Tank Lid w/ Velcro Tape - Sedona Beige
2	THU107	Velcro Tape
3	TSU51A	Fill Valve
4	THU044#01	Bolt Cap - Cotton
	THU044#03	Bolt Cap - Bone
	THU044#11	Bolt Cap - Colonial White
	THU044#12	Bolt Cap - Sedona Beige
5	THU013P	Flush Valve Assembly w/ Flapper
6	THU331S	Flapper w/ Chain
7	9BU002E	Flush Valve Gasket (1 piece)
8	THU097	Flush Valve Gasket (10 pieces)
9	THU004#01	Trip Lever - Cotton
	THU004#03	Trip Lever - Bone
	THU004#11	Trip Lever - Colonial White
	THU004#12	Trip Lever - Sedona Beige
	THU004#CP	Trip Lever - Chrome Plated
	THU004#BN	Trip Lever - Brushed Nickel
	THU004#PN	Trip Lever - Polished Nickel
10	THU098#01	Bolt Cap Set - Cotton (20 pieces)
	THU098#03	Bolt Cap Set - Bone (20 pieces)
	THU098#11	Bolt Cap Set - Colonial White (20 pieces)
	THU098#12	Bolt Cap Set - Sedona Beige (20 pieces)
11	THU044S#01	Bolt Cap Set - Cotton (2 pieces)
	THU044S#03	Bolt Cap Set - Bone (2 pieces)
	THU044S#11	Bolt Cap Set - Colonial White (2 pieces)
	THU044S#12	Bolt Cap Set - Sedona Beige (2 pieces)

Note:

Product Number Explanations

One-Piece Toilet

(MS) Toilet & Seat Combination
(CST) Gravity Type Toilet
(854) Toilet Model
(114) Seat Model
(S) G-Max®
(L) ADA Compliant

Actual Product may vary slightly from illustration.