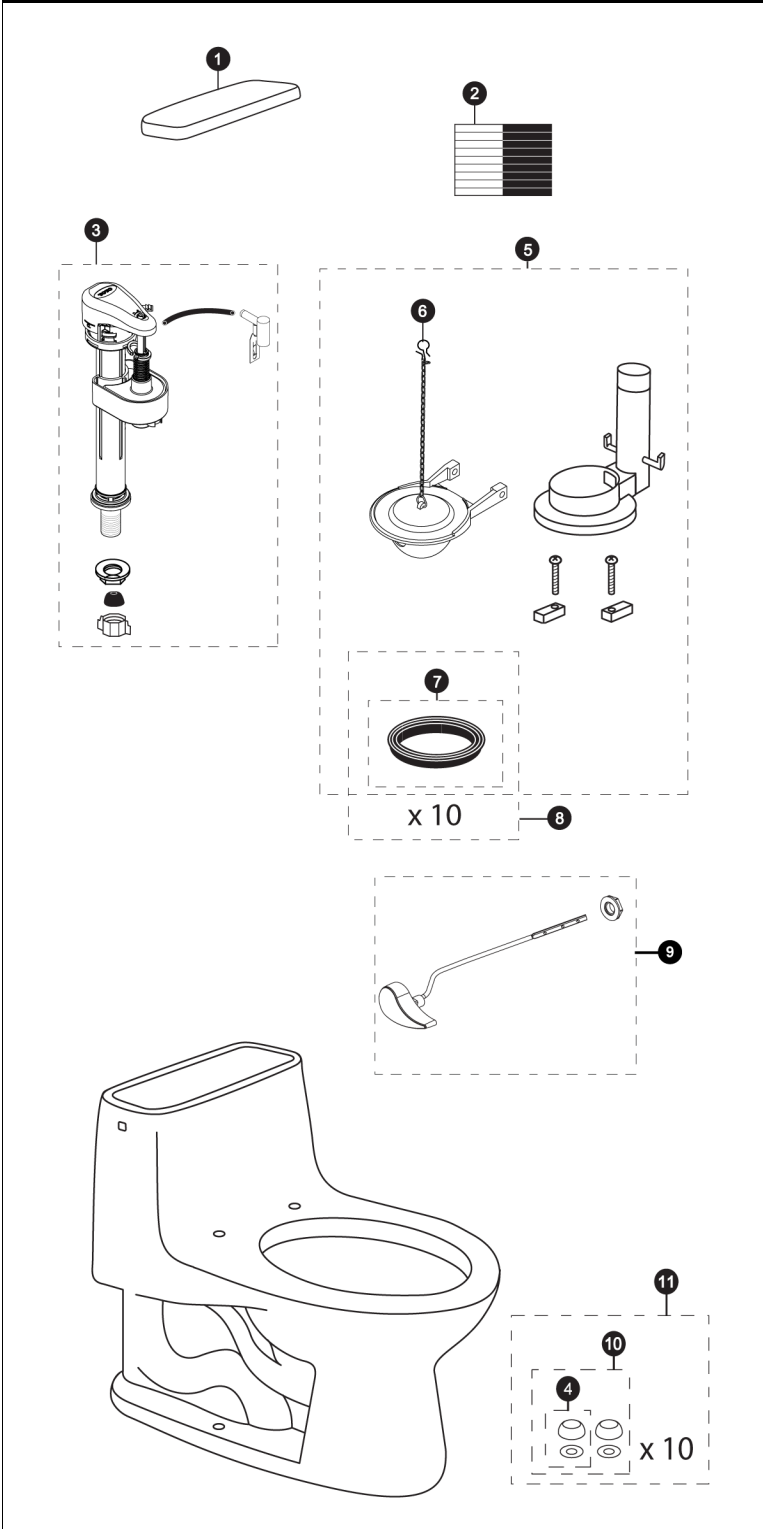


MS854114E(G) & MS854114EL(G)

MS854114E(G) MS854114EL(G)
 CST854E(G) CST854EL(G)

Eco Ultramax® 1.28 Gpf Toilet, Elongated, E-Max®, 12" Rough-In (including ADA)



Items	Parts	Description
1	TCU854CRE#01	Tank Lid w/ Velcro Tape - Cotton
	TCU854CRE#03	Tank Lid w/ Velcro Tape - Bone
	TCU854CRE#11	Tank Lid w/ Velcro Tape - Colonial White
	TCU854CRE#12	Tank Lid w/ Velcro Tape - Sedona Beige
	TCU854CRE#51	Tank Lid w/ Velcro Tape - Ebony
2	THU107	Velcro Tape
3	TSU51A	Fill Valve
4	THU044#01	Bolt Cap - Cotton
	THU044#03	Bolt Cap - Bone
	THU044#11	Bolt Cap - Colonial White
	THU044#12	Bolt Cap - Sedona Beige
	THU044#51	Bolt Cap - Ebony
5	THU251P	Flush Valve Assembly w/ Flapper
6	THU347S	Flapper w/ Chain
7	9BU002E	Flush Valve Gasket
	THU097	Flush Valve Gasket (10 pieces)
9	THU004#01	Trip Lever - Cotton
	THU004#03	Trip Lever - Bone
	THU004#11	Trip Lever - Colonial White
	THU004#12	Trip Lever - Sedona Beige
	THU004#51	Trip Lever - Ebony
10	THU044S#01	Bolt Cap Set - Cotton (2 pieces)
	THU044S#03	Bolt Cap Set - Bone (2 pieces)
	THU044S#11	Bolt Cap Set - Colonial White (2 pieces)
	THU044S#12	Bolt Cap Set - Sedona Beige (2 pieces)
	THU044S#51	Bolt Cap Set - Ebony (2 pieces)
11	THU098#01	Bolt Cap & Base (20 pieces) - Cotton
	THU098#03	Bolt Cap & Base (20 pieces) - Bone
	THU098#11	Bolt Cap & Base (20 pieces) - Colonial White
	THU098#12	Bolt Cap & Base (20 pieces) - Sedona Beige
	THU098#51	Bolt Cap & Base (20 pieces) - Ebony

Note:

Product Number Explanations

One-Piece Toilet

(MS) Toilet & Seat Combination
 (CST) Gravity Type Toilet
 (854) Toilet Model
 (114) Seat Model
 (E) E-Max®
 (L) ADA Compliant
 (G) Sanagloss

Actual Product may vary slightly from illustration.