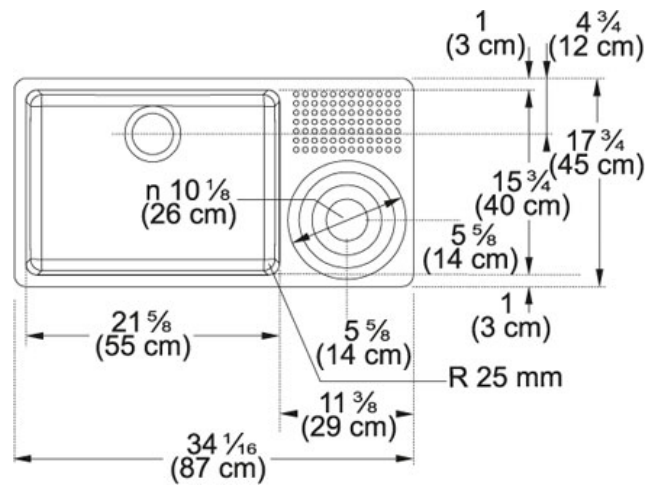


SPECIFICATION SHEET

PRODUCT FAMILY: Sinks FINISH: Stainless Steel SERIES: CULINARY WORK STATION MODEL: CWX161-D



Product Information

FUN#	122.0046.070
US Part Number	CWX161-D
Franke Integral Ledge	built-in
Minimum Cabinet Size	36"
Drain Opening	3 1/2"
Faucet Hole	1
Outer Dimensions	34 1/16"x17 3/4"
Bowl Size	21 5/8"x15 3/4"x9 1/16"
Number of Bowls	2
Type of Material	18 ga Stainless Steel

Accessories



112.0014.121



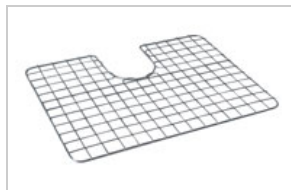
112.0014.123



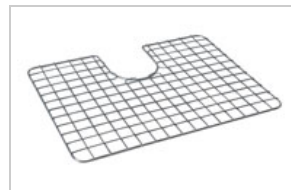
112.0014.124



112.0030.882



112.0066.240



112.0083.067

Suggested Products



112.0049.213



112.0066.071



112.0073.934



115.0067.240



119.0066.616



119.0067.234



119.0175.313



133.0178.205