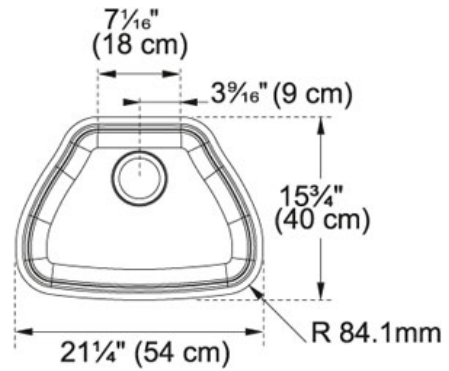


# SPECIFICATION SHEET

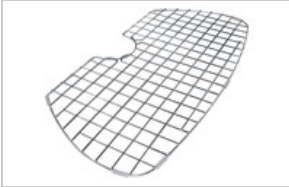
PRODUCT FAMILY: Sinks FINISH: Stainless Steel SERIES: CENTENNIAL MODEL: CQX11019



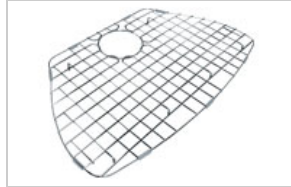
## Product Information

<b>FUN#</b>	122.0183.742
<b>US Part Number</b>	CQX11019
<b>Minimum Cabinet Size</b>	27"
<b>Outer Dimensions</b>	21 1/4"x15 3/4"
<b>Bowl Size</b>	19"x13 1/2"x7 7/8"
<b>Number of Bowls</b>	1

**Accessories**



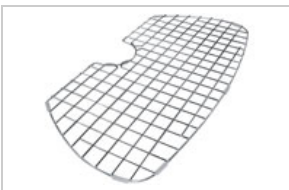
112.0195.445



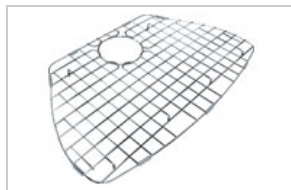
112.0195.446



112.0195.453



112.0196.890



112.0196.891

**Suggested Products**



119.0175.314



120.0175.302



122.0183.744