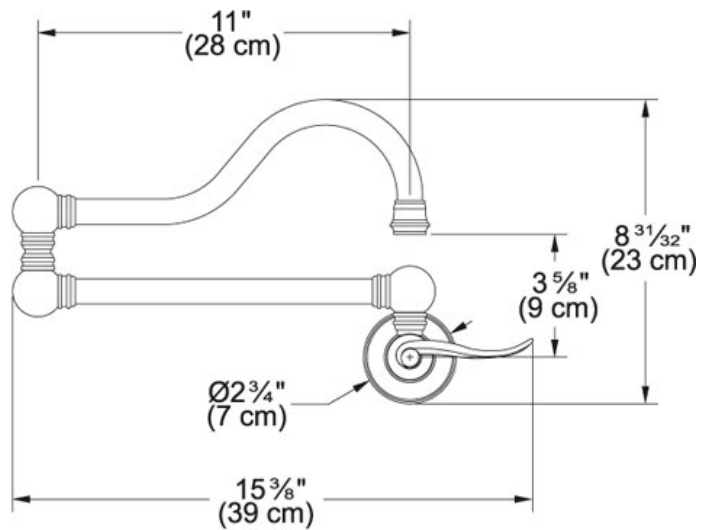


# SPECIFICATION SHEET

PRODUCT FAMILY: **Faucets** FINISH: **Satin Nickel** SERIES: **PF7000 SERIES** MODEL: **PF7080A**



## Product Information

<b>FUN#</b>	115.0254.393
<b>US Part Number</b>	PF7080a
	Wall Mounted Pot Filler
<b>Faucet Operation</b>	Side Lever
*	Alternate handles available. Made in the USA. Available in 4 finishes.
<b>Certifications</b>	Meets AB1953 (CA) and S152 (VT) requirements, IAPMO certified

**Suggested Products**



115.0188.888



119.0191.643