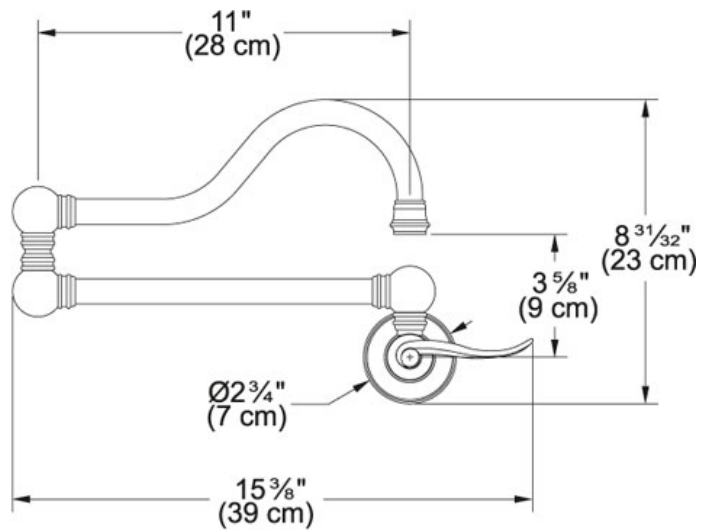


SPECIFICATION SHEET

PRODUCT FAMILY: **Faucets** FINISH: **Polished Chrome** SERIES: **PF7000 SERIES** MODEL: **PF7000A**



Product Information

| | |
|-------------------------|------------------------------------------------------------------------|
| FUN# | 115.0254.388 |
| US Part Number | PF7000a |
| | Wall Mounted Pot Filler |
| Faucet Operation | Side Lever |
| * | Alternate handles available. Made in the USA. Available in 4 finishes. |
| Certifications | Meets AB1953 (CA) and S152 (VT) requirements, IAPMO certified |

Suggested Products



115.0188.885



115.0188.889



115.0254.384