

F A U C E T I N S T A L L A T I O N

OPERATION/MAINTENANCE OPERATION/MAINTENANCE

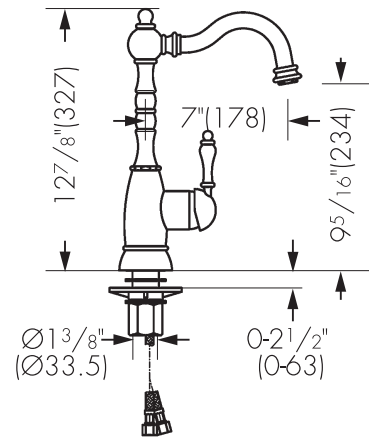
FHBP100, P A R T

FHF100 L I S T

FHBP100, P A R T

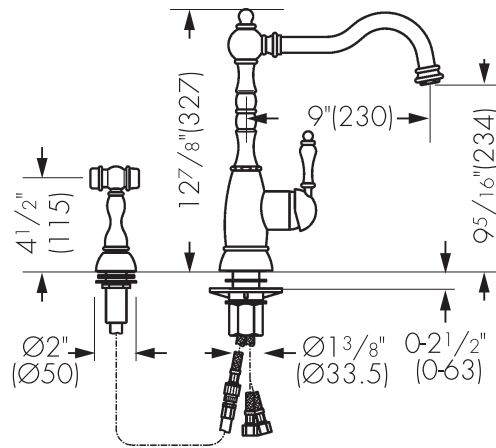
FHF100 L I S T

FHBP100



- Remove lock nut, metal washer, one rubber washer and plastic spacer. A second rubber washer or O-ring, depending on the model, will remain on the faucet.
- Insert faucet body into sink.
- Remount rubber washer and plastic spacer followed by metal washer to faucet shank under sink. Remount lock nut to shank and hand-tighten. **Note:** Lock nut has provisions for various desk thicknesses. For standard thicknesses, apply lock nut with unthreaded portion first.
- Rotate the spout to the left and right. Be sure the faucet is aligned properly. Make final tightening of lock nut.
- Connect the supply hoses to the hot and cold water supply valves. Be sure to hold the supply hoses in place when tightening the nut so as not to twist the hoses.
- Confirm that faucet operating handle is in closed position and open supply valves. Check connections for leakage.
- For model with side spray:
 - Place spray head holder through hole in sink, attach mounting nut and tighten securely.
 - Thread hose through the spray head holder and attach end of hose to the outlet hose. Be sure to maintain the fiber. **Caution:** Hose will leak if washer are installed incorrectly.

FHF100

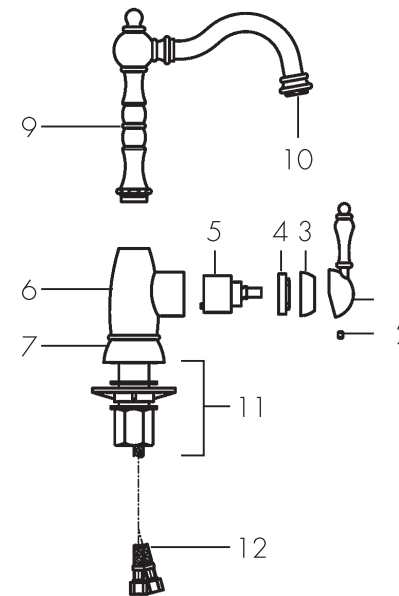


- The mixer is operated by moving the handle.
- Swivel hand to the left for hot water.
- Swivel hand to the right for cold water. Rotate the handle upward and for volume control pull handle away from faucet.
- On kitchen faucets:
 - The hand spray can be drawn approximately 20 inches out of the arm.
 - The flow of the water is changed from bubble to needle spray by pushing down upon the diverter button located on top of the hand spray.
 - After the water flow has been shut off, the hand spray automatically reverts back to the bubble spray mode.

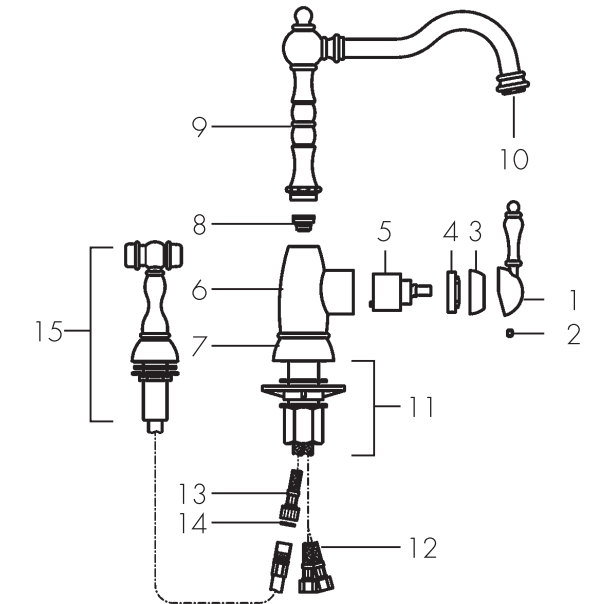
Use only clean water or very diluted soapy water with all finishes. Do not use any abrasive cleaners.

Use only clean water or very diluted soapy water with all finishes. Do not use any abrasive cleaners.

FHBP100



FHF100



FHBP 100 Drawing	Part No	FHF 100 Drawing	Part No	PART LIST
1	F0512	1	F0512	Lever Handle
2	F1900	2	F1900	Screw
3	F0101	3	F0101	Cap
4	F0200	4	F0200	Cartridge nut
5	F0305	5	F0305	Cartridge
6	F1601	6	F1601	Body
7	F1701	7	F1701	Base
-	-	8	F1100	Diverter
9	F1803	9	F1802	Spout
10	F0400	10	F0401	Aerator
11	F0600 F0605	11	F0600 F0605	Fastening set
12	F0803	12	F0803	Supply flexible hoses
-	-	13	F0804	Supply tube
-	-	14	F1002	Fiber washer
-	-	15	F0706	Side spray

FHBP 100 Drawing	Part No	FHF 100 Drawing	Part No	PART LIST
1	F0512	1	F0512	Lever Handle
2	F1900	2	F1900	Screw
3	F0101	3	F0101	Cap
4	F0200	4	F0200	Cartridge nut
5	F0305	5	F0305	Cartridge
6	F1601	6	F1601	Body
7	F1701	7	F1701	Base
-	-	8	F1100	Diverter
9	F1803	9	F1802	Spout
10	F0400	10	F0401	Aerator
11	F0600 F0605	11	F0600 F0605	Fastening set
12	F0803	12	F0803	Supply flexible hoses
-	-	13	F0804	Supply tube
-	-	14	F1002	Fiber washer
-	-	15	F0706	Side spray