

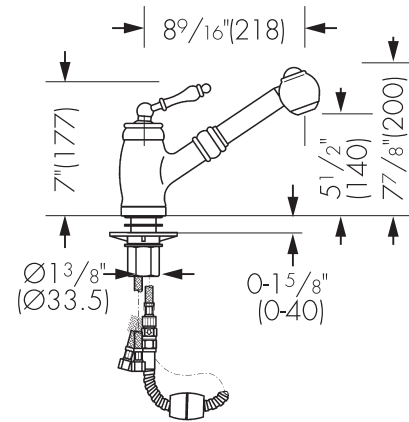
F A U C E T I N S T A L L A T I O N

OPERATION/MAINTENANCE OPERATION/MAINTENANCE

FHPS100, FHPS1300 P A R T L I S T

FHPS100, FHPS1300 P A R T L I S T

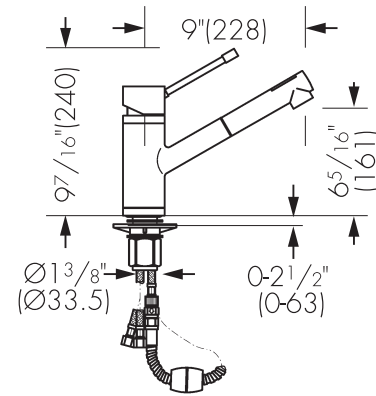
FHPS100



1. Disconnect pull-down spray hose from supply tube.
Important note: Be sure that fiber remains in place in supply tube when reconnecting.
2. Insert faucet body into sink.
3. Mount rubber washer followed by plastic base, if necessary, and metal washer to faucet shank under sink. Mount lock nut to shank and hand-tighten.
4. Be sure the faucet is aligned properly. Make final tightening of lock nut.
5. Reconnect pull-down spray hose to supply tube, being certain that fiber remains in place in supply tube.
6. Connect the supply hoses to the hot and cold water supply valves. Be sure to hold the supply hoses in place when tightening the nut so as not to twist the hoses.
7. Attach weights to hose on spout side of loop, just above bend (use screws provided).
8. Confirm that faucet operating handle is in closed position and open supply valves, check connections for leakage.
9. Disconnect spray head from hose and flush hot and cold water lines until clear to avoid problems with spray head operation. Reconnect spray head, confirming that rubber washer remains in place. Hose will leak if washer are installed incorrectly.

1. Disconnect pull-down spray hose from supply tube.
Important note: Be sure that fiber remains in place in supply tube when reconnecting.
2. Insert faucet body into sink.
3. Mount rubber washer followed by plastic base, if necessary, and metal washer to faucet shank under sink. Mount lock nut to shank and hand-tighten.
4. Be sure the faucet is aligned properly. Make final tightening of lock nut.
5. Reconnect pull-down spray hose to supply tube, being certain that fiber remains in place in supply tube.
6. Connect the supply hoses to the hot and cold water supply valves. Be sure to hold the supply hoses in place when tightening the nut so as not to twist the hoses.
7. Attach weights to hose on spout side of loop, just above bend (use screws provided).
8. Confirm that faucet operating handle is in closed position and open supply valves, check connections for leakage.
9. Disconnect spray head from hose and flush hot and cold water lines until clear to avoid problems with spray head operation. Reconnect spray head, confirming that rubber washer remains in place. Hose will leak if washer are installed incorrectly.

FHPS1300



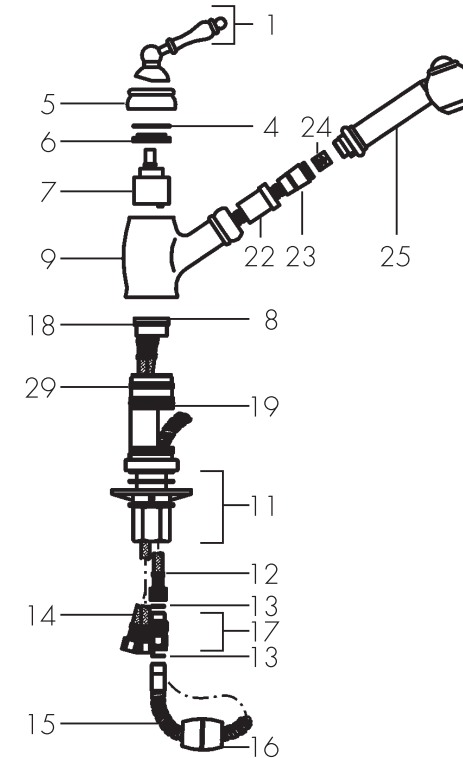
1. The mixer is operated by moving the handle.
2. Swivel hand to the left for hot water.
3. Swivel hand to the right for cold water. Rotate the handle upward and for volume control pull handle away from faucet.
4. On kitchen faucets:
 - A. The hand spray can be drawn approximately 20 inches out of the arm.
 - B. The flow of the water is changed from bubble to needle spray by pushing down upon the diverter button located on top of the hand spray.
 - C. After the water flow has been shut off, the hand spray automatically reverts back to the bubble spray mode.

1. The mixer is operated by moving the handle.
2. Swivel hand to the left for hot water.
3. Swivel hand to the right for cold water. Rotate the handle upward and for volume control pull handle away from faucet.
4. On kitchen faucets:
 - A. The hand spray can be drawn approximately 20 inches out of the arm.
 - B. The flow of the water is changed from bubble to needle spray by pushing down upon the diverter button located on top of the hand spray.
 - C. After the water flow has been shut off, the hand spray automatically reverts back to the bubble spray mode.

Use only clean water or very diluted soapy water with all finishes. Do not use any abrasive cleaners.

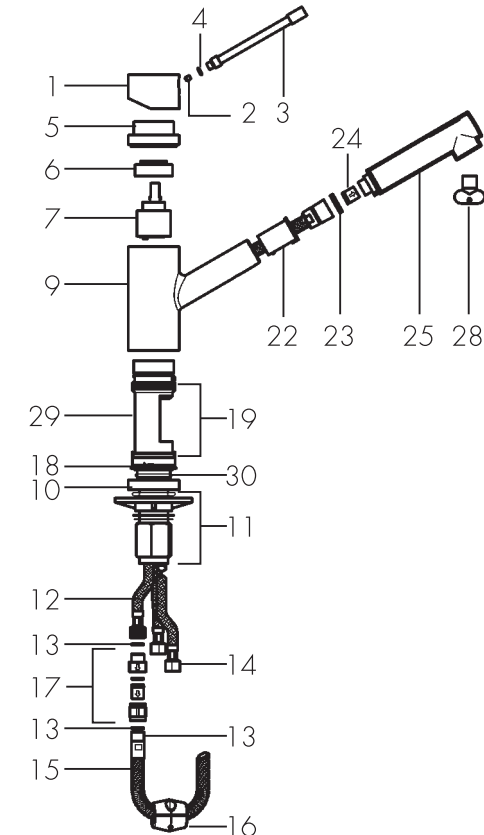
Use only clean water or very diluted soapy water with all finishes. Do not use any abrasive cleaners.

FHPS100



FHPS 100 Drawing	FHPS 1300 Drawing	100 Part No	1300 Part No	PART LIST
1	1	F0514	F0515	Handle
-	2	-	F1904	Screw
-	3	-	F0510	Lever
4	4	F1001	F1012	O-ring
5	5	F0100	F0105	Cap
6	6	F0203	F0205	Cartridge nut
7	7	F0305	F0305	Cartridge
8	-	F2102	-	Insert
9	9	F1609	F1611	Body
-	10	-	F1705	Base
11	11	F0600	F0600	Fastening set
-	-	F0605	F0605	
12	12	F0804	F0804	Supply tube
13	13	F1002	F1002	Fiber washer
14	14	F0803	F0803	Supply flexible hoses
15	15	F0801	F0801	Hose
16	16	F1200	F1200	Weight
17	17	F0902	F0902	Check valve set
18	-	F1010	-	O-ring
19	19	F1003	F1003	O-ring
22	22	F2103	F2104	Plastic insert
23	23	F1011	F1013	Rubber washer
24	24	F0903	F0903	Check valve
25	25	F0702	F0709	Pull out spray
28	28	-	F1301	Pull out spray key
29	29	F1610	F1612	Inner body
-	30	-	F1014	O-ring

FHPS1300



FHPS 100 Drawing	FHPS 1300 Drawing	100 Part No	1300 Part No	PART LIST
1	1	F0514	F0515	Handle
-	2	-	F1904	Screw
-	3	-	F0510	Lever
4	4	F1001	F1012	O-ring
5	5	F0100	F0105	Cap
6	6	F0203	F0205	Cartridge nut
7	7	F0305	F0305	Cartridge
8	-	F2102	-	Insert
9	9	F1609	F1611	Body
-	10	-	F1705	Base
11	11	F0600	F0600	Fastening set
-	-	F0605	F0605	
12	12	F0804	F0804	Supply tube
13	13	F1002	F1002	Fiber washer
14	14	F0803	F0803	Supply flexible hoses
15	15	F0801	F0801	Hose
16	16	F1200	F1200	Weight
17	17	F0902	F0902	Check valve set
18	-	F1010	-	O-ring
19	19	F1003	F1003	O-ring
22	22	F2103	F2104	Plastic insert
23	23	F1011	F1013	Rubber washer
24	24	F0903	F0903	Check valve
25	25	F0702	F0709	Pull out spray
28	28	-	F1301	Pull out spray key
29	29	F1610	F1612	Inner body
-	30	-	F1014	O-ring