

LIMITED LIFETIME WARRANTY

Franke Consumer Products, Inc., Kitchen Systems Division extends the following warranty to the original purchaser of its faucets effective January 1, 2003.

All faucets installed in a private residence will carry a limited lifetime warranty on all mechanical parts to be free of manufacturing defects in material and workmanship under normal usage. All chrome finishes carry a limited lifetime warranty; all other finishes are warranted for five (5) years from the original date of purchase.

This warranty applies only to the original owner, providing the product has been installed in accordance with our installation instructions, used as recommended and in a normal residential application. **In the event of a warranty claim, the owner will be required to provide proof of purchase - save sales receipt.** This warranty covers all components which make the product operational. Franke, at its option, may repair or replace the product or components necessary to restore the product to good working condition. Franke reserves the right to inspect the installation *prior* to the actual replacement of the product or component part.

This warranty does not cover misuse or abuse, accidental damages, scuffs or scratches, improper installation, abnormal usage, negligence or damage caused by improper maintenance or cleaning. Normal wear of parts is excluded from the warranty. Damage caused by impurities or acts beyond our control are not covered. Any product or part which has been repaired or altered in any manner outside of Franke's factory, unless previously authorized in writing by Franke, will void warranty. **Any replacement excludes transportation and any labor re-installation costs.** This warranty does not allow recovery of incidental or consequential damages such as loss of use, delay, property damage or other consequential damage, and Franke accepts no liability for such damages.

The Franke warranty is limited to the above conditions and to the warranty period specified herein and is exclusive. Franke **DISCLAIMS** all other warranties, expressed or implied, including **IMPLIED WARRANTIES OF MERCHANTABILITY AND/OR FITNESS FOR AS PARTICULAR PURPOSE.** This warranty gives you specific legal rights that may vary from state to state.

Further information

For any further information about our products, about the installation of them or about the guarantee, please dial the number of the customer service:

Phone number +1-215-822-6590
Or: 1-800-626-5771
Fax number + 1-215-822-5873

Franke Consumer Products Inc. - Kitchen Systems Division
3050 Campus Drive, Suite Hatfield, PA 19440

INSTRUCTION MANUAL

FF6000 . FF7000



TECHNICAL DATA

Standard water flow 1.5 gpm - 45 PSI
 Maximum water flow 2.2 gpm - 60 PSI
 Recommended pressure range 25-100 PSI - Over 100 PSI PRV required
 Complies with Proposition 65, NSF 61, UPC and C-UPC requirements

FAUCET INSTALLATION

1. Remove all contents from the package and check for completeness. **NOTE:** Product comes pre-assembled.

NOTE:

Call us immediately if you see inconsistencies.

(1-800-626-5771)

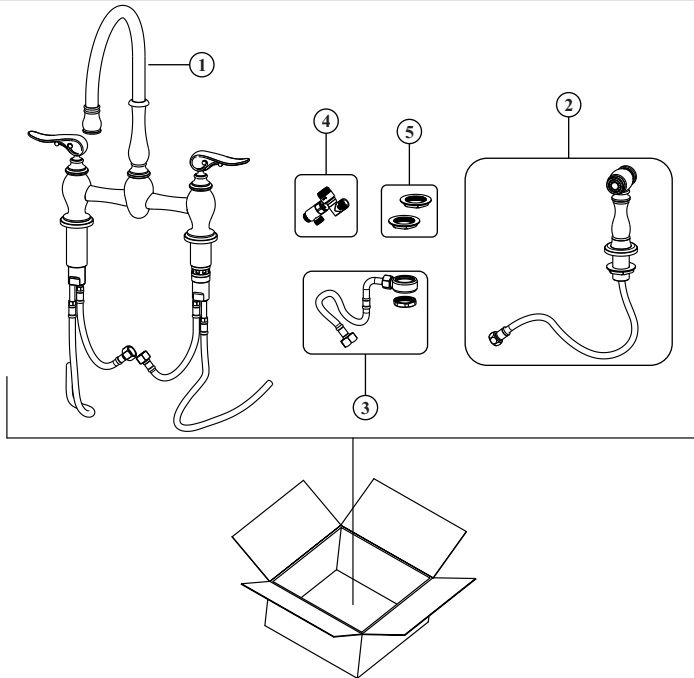
or visit

www.frankeksd.com

info.fks@franke.com

CONTENTS IN BOX

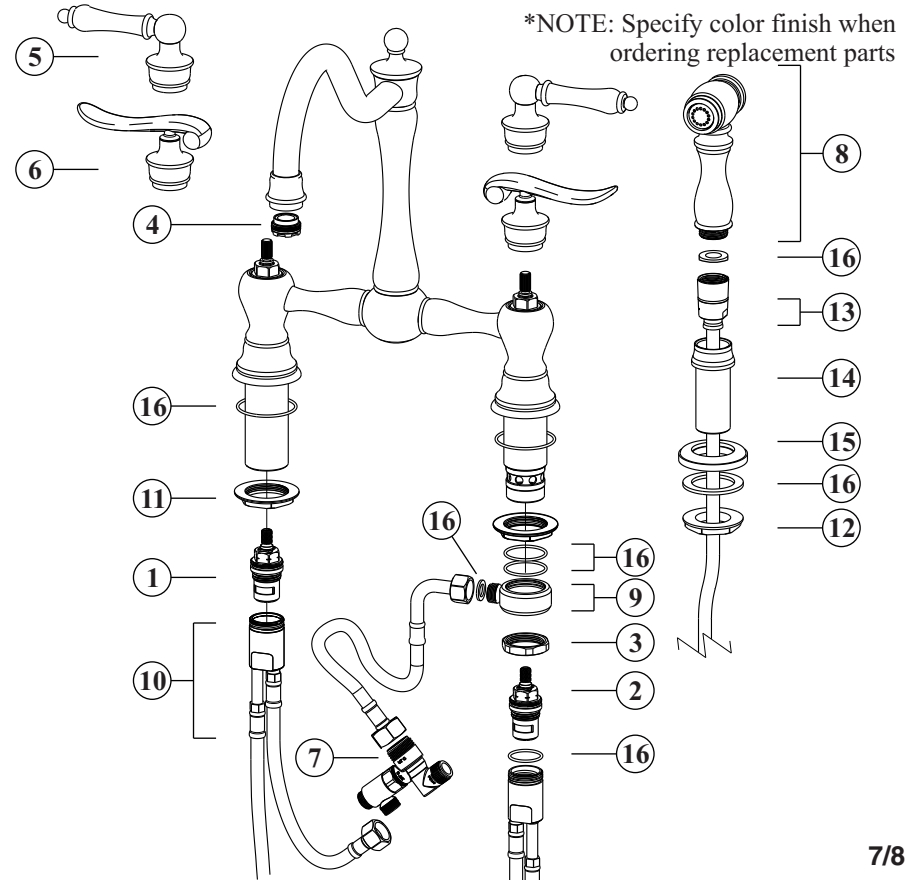
CONTENTS IN BOX	
1	Faucet
2	Sidespray Assembly
3	Diverter Connection
4	Tee Valve & Diverter
5	Mounting Nut



2/8

SPARE / REPLACEMENT PARTS LIST - FF7000

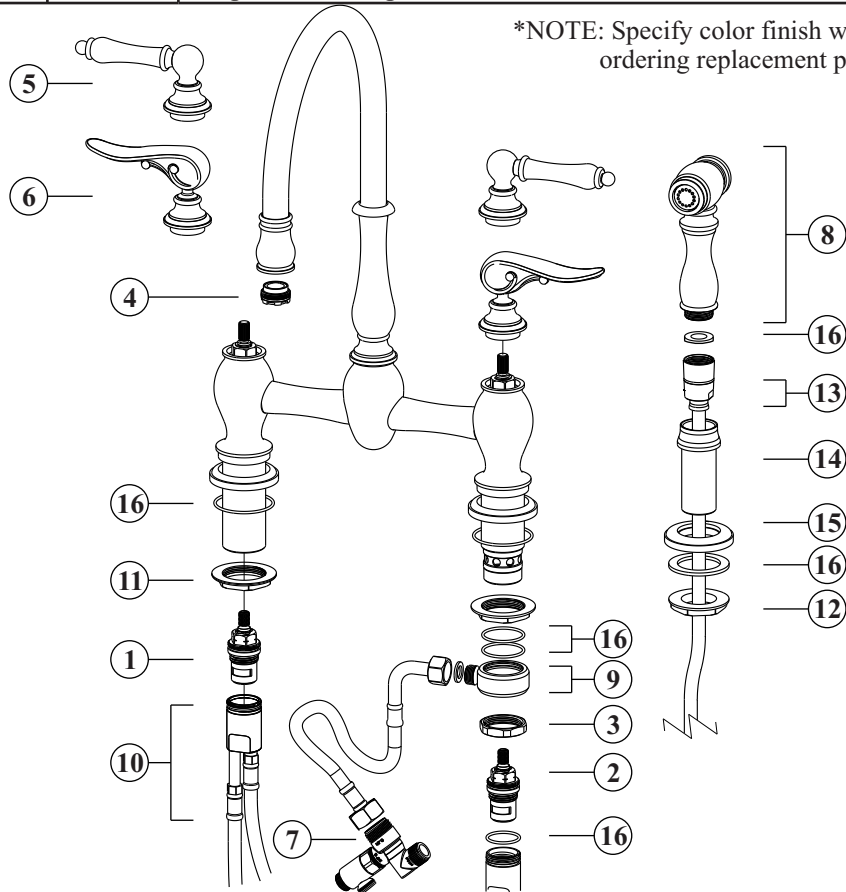
SPARE / REPLACEMENT PARTS LIST - FF7000		
1	10210	Cartridge Hot, Lead Free
2	10211	Cartridge Cold, Lead Free
3	10418	Banjo Diverting Locknut
4	10698	Aerator 2.2 GPM (For Aerator 1.5 GPM = 10560)
5	3-021 *	Handle, Standard Lever Lalingua
6	3-022 *	Handle, Decorative Lalingua
7	3-033	Tee Body & Diverter
8	3-034 *	Sidespray Head & Grip
9	3-047	Diverting Hose & Banjo Fitting
10	3-048	Valve Body & Connection Hoses
11	92038	Locknut for Faucet
12	92037	Locknut for Sidespray
13	10564	Hose for Sidespray
14	10406 *	Sidespray Base Shank
15	10407 *	Escutcheon Flange
16	3-058	Bridge Faucet Sealing Kit



7/8

SPARE / REPLACEMENT PARTS LIST - FF6000		
1	10210	Cartridge Hot, Lead Free
2	10211	Cartridge Cold, Lead Free
3	10418	Banjo Diverting Locknut
4	10698	Aerator 2.2 GPM (For Aerator 1.5 GPM = 10560)
5	3-019 *	Handle, Standard Lever Swan
6	3-020 *	Handle, Decorative Swan
7	3-033	Tee Body & Diverter
8	3-034 *	Sidespray Head & Grip
9	3-047	Diverting Hose & Banjo Fitting
10	3-048	Valve Body & Connection Hoses
11	92038	Locknut for Faucet
12	92037	Locknut for Sidespray
13	10564	Hose for Sidespray
14	10406 *	Sidespray Base Shank
15	10407 *	Escutcheon Flange
16	3-058	Bridge Faucet Sealing Kit

*NOTE: Specify color finish when ordering replacement parts

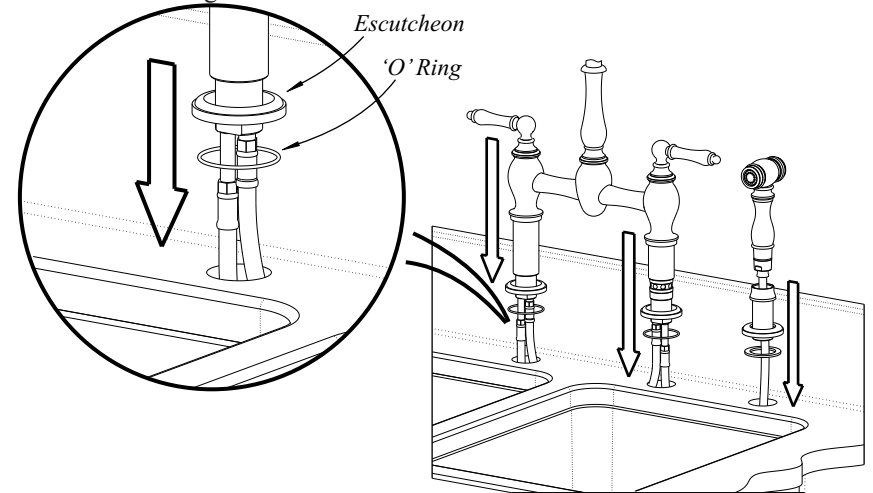


- Flush pipe work to ensure it is free from debris.
 - Cut mounting holes 1 3/8" diameter (8" center-to-center spread requirement for faucet) in the desired position in sink.
 - Remove faucet and hardware from its protective packaging. **Faucet comes assembled.**
 - Detach hose fittings from tee body, temporarily remove locknut from diverting side.
 - Slide banjo fitting down from its location.
 - Unscrew plastic mounting nuts from the faucet shanks.
 - Place the escutcheons (for FF6000) and large 'O' rings (for FF6000 and/or FF7000) over the faucet shanks and place the faucet into the desired position.
- ATTENTION:** The rubber 'O' ring should be sitting on top of the countertop and between the faucet escutcheons. DO NOT use putty or other sealant at this location.

NOTES:

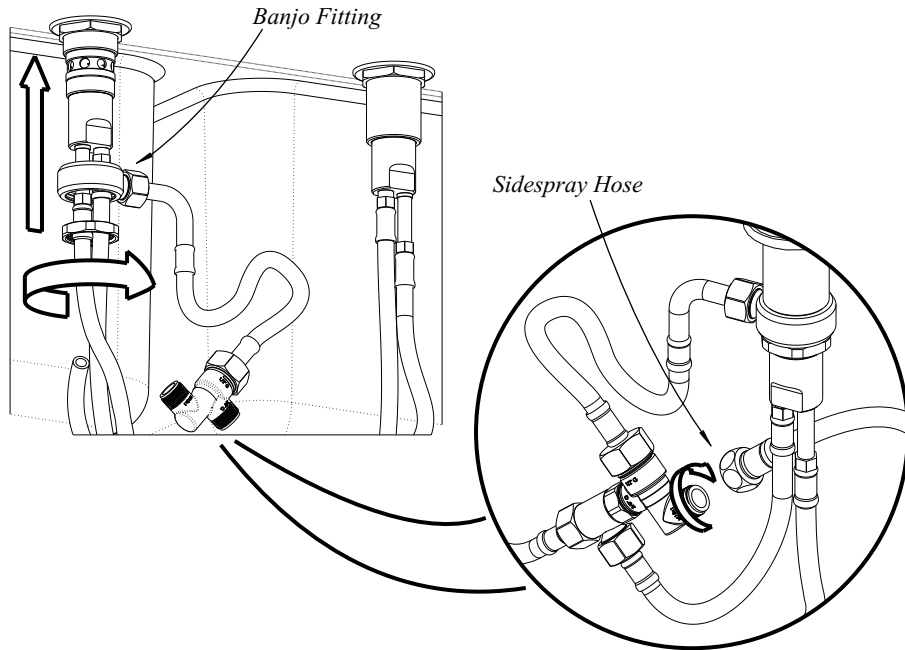
Solid surface installation: The sub-countertop mounting surface needs to be flat and free of debris; otherwise the faucet will not sit properly.

Tile installation: Avoid installations near or on top of grout lines. The faucet will not sit secure when sitting on such.



- Assure that the handles and spout are properly aligned in correct positions; spout should swivel face forward into sink and handles should point outward parallel with bridge faucet. Handles should 1/4" turn towards front of sink (counter-clockwise 1/4" turn for hot side & clockwise 1/4" turn for cold side).
- Slide plastic mounting nuts over supply lines. Install the plastic mounting nuts to the threaded shanks from underneath the sink.
- Tighten plastic mounting nuts with required plumbers wrench (1 7/16" size).
- Slide banjo-divert fitting over the cold side supply lines followed with the thread brass locknut into its location. Ensure fitting hose is positioned between both shanks and fitting hose turns downwards inline with other supply lines.
- Tighten threaded brass locknut with required plumbers wrench (1 7/16" size).

14. Connect and tighten shorter supply hoses onto diverter-tee. Use open end wrench.
15. Next, install the sidespray assembly by installing rubber gasket & escutcheon flange along with base shank into 1-3/8" mounting hole.
16. From underneath the sink, install plastic mounting nut onto base shank until fully tightened.
17. Set sidespray into place. Insert spray hose into base.



18. Install and tighten end of hose onto diverter (M15 fitting).
19. Connect the inlet supply lines to the angle stop wall valves. Do not allow the supply tubes to twist or bend sharply.
20. Open faucet handle - cold side first - by turning handle clockwise. Let the faucet run on cold for 15 to 30 seconds.
21. Turn off cold side handle.
22. Open faucet handle - hot side second - by turning handle counter-clockwise. Let the faucet run on hot for 15 to 30 seconds.
23. Open both faucet handles. Let the faucet run for 15 to 30 seconds.
24. Pull sidespray hose out of its base and point the open end towards the sink drain.
25. Let the sidespray run for 15 to 30 seconds. When sidespray is depressed, ensure spout turns off and turns back on when spray is not in use.
26. Turn faucet off.
27. Check / test for leaks under the cabinet.

4/8

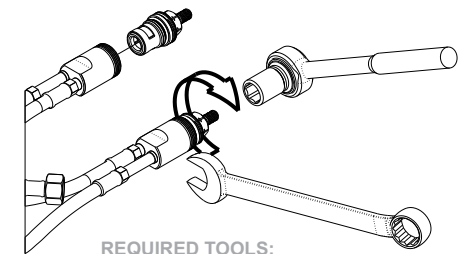
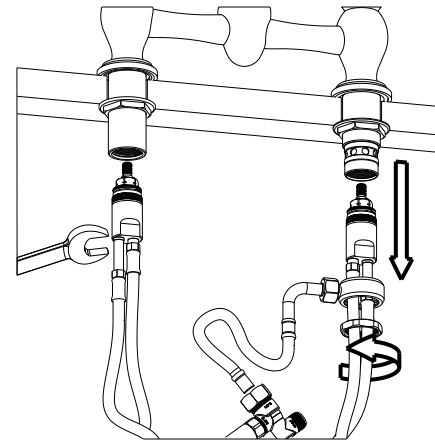
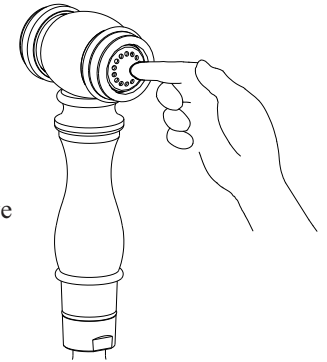
STANDARD MAINTENANCE AND TROUBLE SHOOTING

CLEANING OF THE SPRAY HEAD

Any deposits which may accumulate on the nozzle can be removed by simply running a finger over the face of the sprayer and then running the water for a few seconds. In extreme cases this step may have to be repeated.

REPLACING THE CARTRIDGE

1. Shut off the water supply to the faucet.
2. Open the faucet briefly to relieve any pressure inside the faucet.
3. Move the faucet handles to the "OFF" position.
5. Disconnect supply lines from angle wall valves and from diverting tee.
6. Use an adjustable wrench to untighten bottom valve body.
7. Remove cartridge from valve body seat.
8. Install the new cartridges into valve body.
13. Re-assemble faucet in reverse order.
14. Test for leakage.



REQUIRED TOOLS:
17mm Socket Wrench
3/4" Wrench

GENERAL MAINTENANCE

Clean aerator periodically.

Do not use harsh detergents, solvents, chemical agents, metallic sponges, etc. that could harm the surface and damage the finish.

Clean only with a soft sponge and soapy water.

5/8