

INSTRUCTION MANUAL

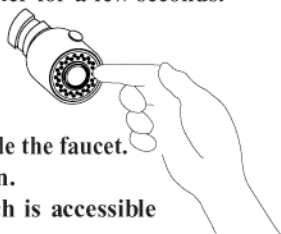
FF2500 . FF2580 . FF2560



Standard maintenance and trouble shooting

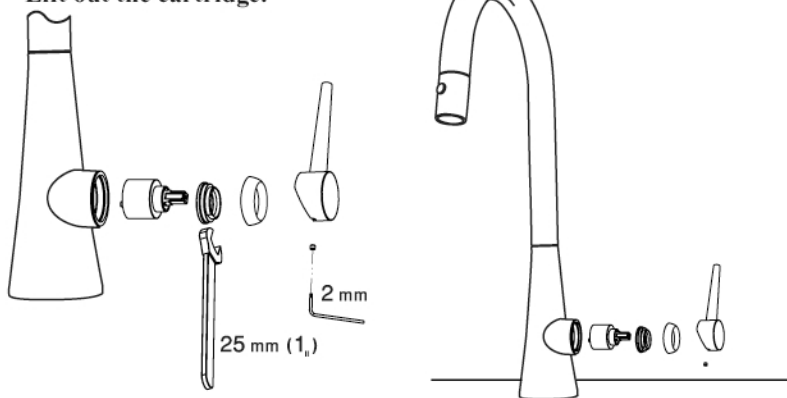
Cleaning of the spray head

Any deposits which may accumulate on the nozzle can be removed by simply running a finger over the rubber extrusions and then running the water for a few seconds. In extreme cases this step may have to be repeated.



Replacing the Cartridge

1. Shut off the water supply to the faucet.
2. Open the faucet briefly to relief any pressure inside the faucet.
3. Move the faucet handle to the "OFF" position.
4. Use an allen key to loosen the set screw which is accessible from the back of the handle.
5. Lift the handle from the cartridge.
6. Open the ring cap by hand.
7. Open the nut with a 25 mm (1") wrench.
8. Lift out the cartridge.



9. Ensure that the seats and O-rings are in good condition
10. Remove potential mineral deposits from inside the faucet body.
11. Install the new cartridge so that the central pivots fit into the corresponding seats.
13. Re-assemble faucet in reverse order.
14. Test for leakage.

General maintenance

Clean aerator periodically.

Do not use harsh detergents, solvents, chemical agents, steel wool, etc. that could harm the surface.

Clean only with a soft sponge and soapy water.

In the case of very hard water, it is necessary to clean and dry the faucet after each use.

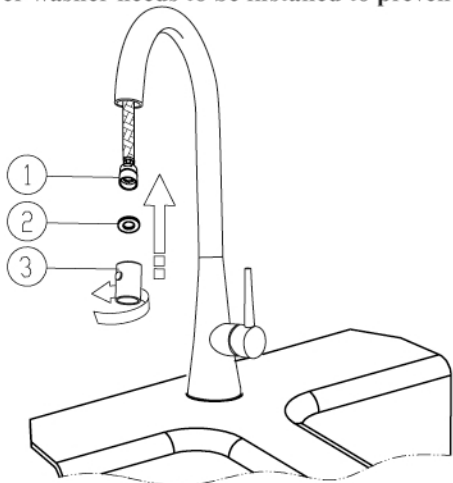
Calcium deposits could damage the surface.

10. Assemble Pull-out Spray.

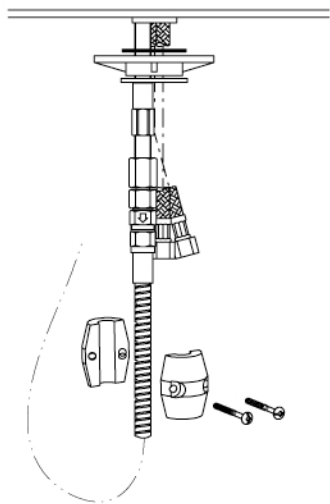
- 1. Attach the pull-out spray head to the hose.**

NOTE:

The rubber washer needs to be installed to prevent leakage.

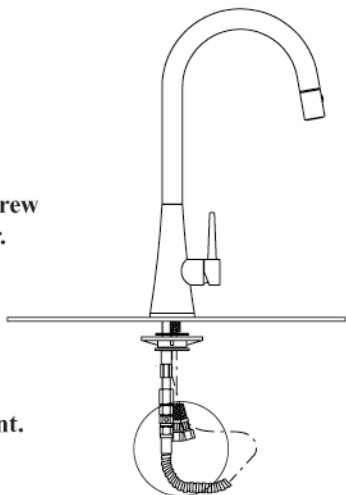


- 2. Fasten the weight to the hose as shown in picture below..**



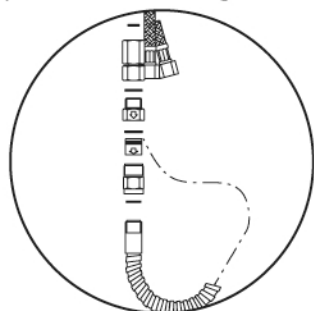
- 3. Test all water lines, fitting and connections for leaks.**

7. Attach the swivel connector to the mounting screw with a fiber washer and attach the valve holder. Attach the spray hose to the valve-holder.



NOTE:

The provided fiber washer needs to be installed here.
DO NOT use putty or other sealant agents at this joint.



8. Connect the supply hoses to the water supply valves.

WARNING!

Do not allow the supply tubes to twist or bend sharply.

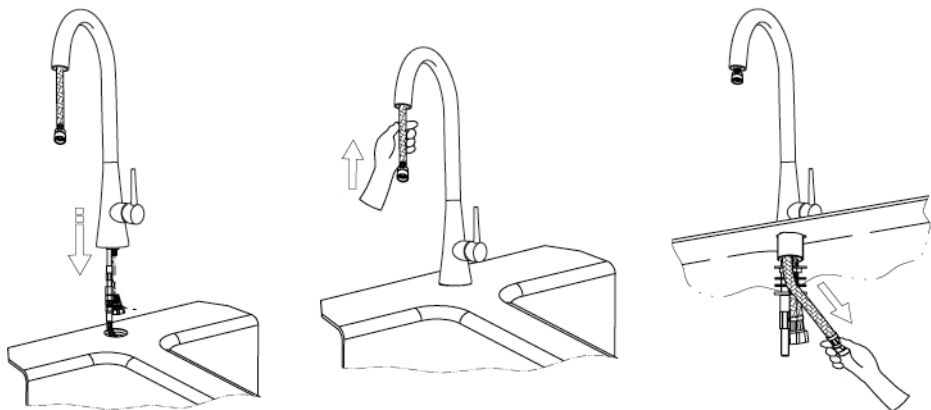
NOTE:

It is recommended to use approved stainless steel braided supplies.

9. Flush out debris from water lines and faucet.
1. Dissassemble the spray head from the spray hose.
Pull spray hose out of the faucet spout and point the open end towards the sink drain.
 2. Open faucet handle - cold side first - by turning handle to the right and moving it upward
 3. Let the faucet run on cold for 15 to 30 seconds.
 4. Open faucet handle - hot side second - by turning handle to the left and moving it upward.
 5. Let the faucet run on hot for 15 to 30 seconds.
 6. Turn faucet off.
 7. Test for leaks under the cabinet.

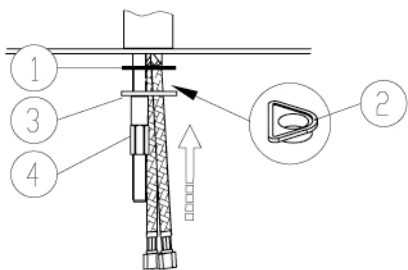
- Remove all mounting hardware from protective plastic bag.
- Place the large O-ring over the faucet shank and place the faucet into the desired location

NOTE: The rubber O-ring should be sitting on top of the countertop and between the faucet body. **DO NOT** use putty or other sealant at this location



- Install the mounting hardware (F0607) to the threaded shank in the following sequence:

- 1 - round flat fiber washer
- 2 - triangular shaped plastic support
- 3 - flat metal washer
- 4 - thread brass nut



- Assure that the handle and spout are properly aligned in forward position
- Tighten the brass nut (4) with the provided wrench or use other professional tools.

NOTE:

Solid surface installation: The sub-countertop mounting surface needs to be flat and free of debris; otherwise the faucet will not sit properly.

Tile installation: Avoid installations near or on top of grout lines. The faucet will not sit secure when sitting on such.

Faucet installation

1. Remove all contents from the package and check for completeness (see itemized table and picture).

NOTE:

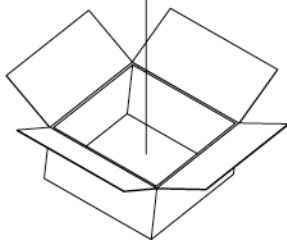
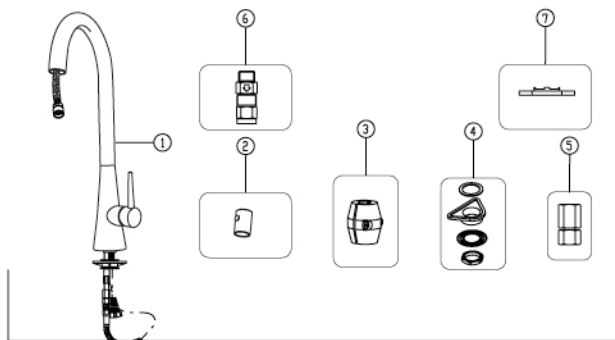
Call us immediately if you see inconsistencies. (1-800-626-5771)

or visit

www.frankeksd.com

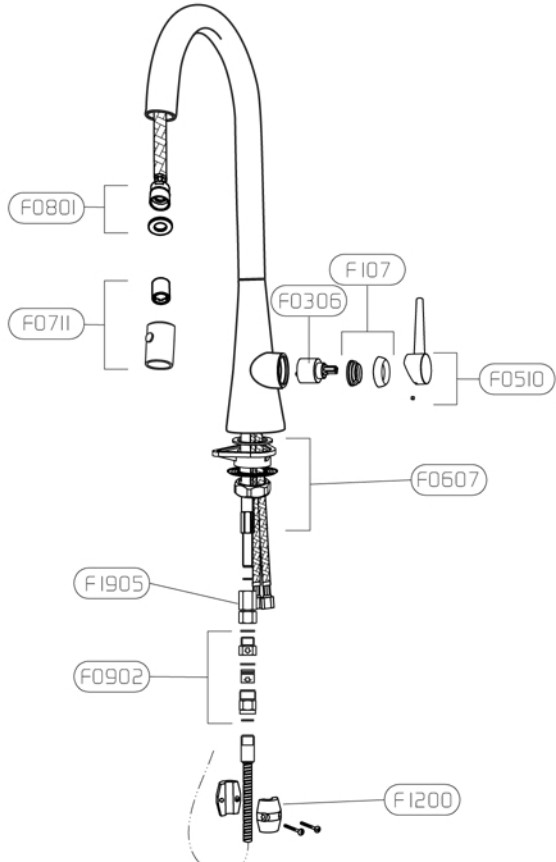
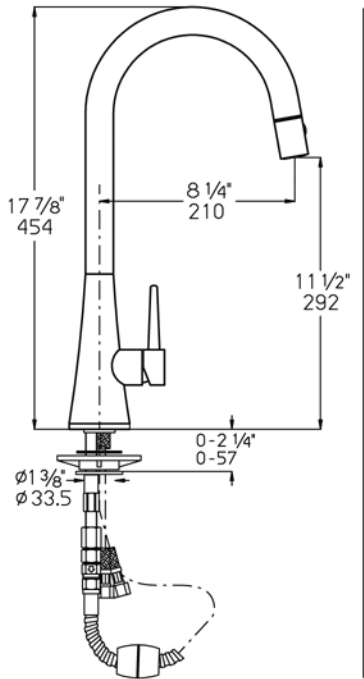
TABLE OF CONTENT

1	Faucet
2	Spray head
3	Counter weight
4	Fastening set (rubber washer, triangular flange, metal washer, threaded nut)
5	Swivel connector
6	Valve-holder
7	Red key



PARTS LIST

F0510	Handle
F0107	Ring cap kit
F0306	Cartridge
F0607	Fastening set (rubber washer, triangular flange, metal washer, threaded nut)
F0801	Flexible hose
F0711	Spray head complete
F1200	Counter weight
F1905	Swivel connector
F0902	Valve-holder

**TECHNICAL DATA**

Maximum water flow 2.2 gpm - 60 PSI

Recommended pressure range 25-100 PSI - Over 100 PSI PRV required

Complies with Proposition 65, NSF 61, UPC and C-UPC requirements.

Limited lifetime warranty

Franke Consumer Products, Inc., Kitchen Systems Division extends the following warranty to the original purchaser of its faucets effective January 1, 2003.

All faucets installed in a private residence will carry a limited lifetime warranty on all mechanical parts to be free of manufacturing defects in material and workmanship under normal usage. All chrome finishes carry a limited lifetime warranty; all other finishes are warranted for five (5) years from the original date of purchase.

Marine Installation : All products in a marine installation will carry a limited lifetime warranty on all mechanical parts to be free of manufacturing defects in material and workmanship under normal usage. All chrome products carry a limited lifetime warranty on the finish; all other finishes carry a three-year (3) warranty from the original date of purchase.

This warranty applies only to the original owner, providing the product has been installed in accordance with our installation instructions, used as recommended and in a normal residential application. In the event of a warranty claim, the owner will be required to provide proof of purchase - save sales receipt. This warranty covers all components which make the product operational. Franke, at its option, may repair or replace the product or components necessary to restore the product to good working condition. Franke reserves the right to inspect the installation prior to the actual replacement of the product or component part.

This warranty does not cover misuse or abuse, accidental damages, scuffs or scratches, improper installation, abnormal usage, negligence or damage caused by improper maintenance or cleaning. Normal wear of parts is excluded from the warranty. Damage caused by impurities or acts beyond our control are not covered. Any product or part which has been repaired or altered in any manner outside of Franke's factory, unless previously authorized in writing by Franke, will void warranty. Any replacement excludes transportation and any labor re-installation costs. This warranty does not allow recovery of incidental or consequential damages such as loss of use, delay, property damage or other consequential damage, and Franke accepts no liability for such damages.

The Franke warranty is limited to the above conditions and to the warranty period specified herein and is exclusive. Franke **DISCLAIMS** all other warranties, expressed or implied, including **IMPLIED WARRANTIES OF MERCHANTABILITY AND/OR FITNESS FOR A PARTICULAR PURPOSE**. This warranty gives you specific legal rights that may vary from state to state.

Further information

For any further information about our products, about the installation of them or about the guarantee, please dial the number of the customer service:

Phone number +1-215-822-6590
Or: 1-800-626-5771
Fax number + 1-215-822-5873

Franke Consumer Products Inc. - Kitchen Systems Division
3050 Campus Drive, Suite 500 Hatfield, PA 19440