

CLUB SERIES

Topmount Round Prep Sink Model SCF-1830



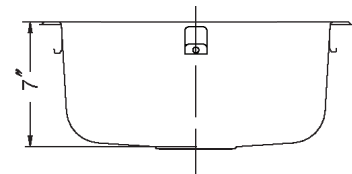
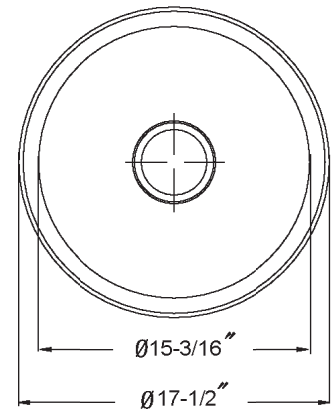
SCF-1830

FEATURES

- Premium grade T-304 stainless steel
- 7" depth • 20 gauge
- StoneGuard™ undercoating over Super-Silencer pad
- Lustrous satin with highlighted rim
- Fits 36" sink base
- 3-1/2" drain opening
- Supplied with fasteners and instructions
- Complies with ASME A112.19.3-2000, cUPC®
- Lifetime Limited Warranty



ASME A112.19.3-2000



OPTIONAL ACCESSORIES

Bottom Grid: BG-1800

Cutting Board : CB-1800

Strainer: 190-9180

| OVERALL DIMENSIONS | EACH BOWL | CUTOUT SIZE | PACKAGING* | WEIGHT* |
|--------------------|-----------|-------------|--------------|-----------------|
| Ø17-1/2" | Ø15-3/16" | Ø15-11/16" | 1/32/40 pcs. | 10/360/380 lbs. |

*Standard packaging: Single boxed /Pallet of single boxed/Pallet of bulk pack.
All dimensions are in inches. Specifications subject to change without notice.

Project/Job name _____

Architect/Engineer _____

Contractor _____

Model _____ Q'ty _____

Notes _____

Installation profile

