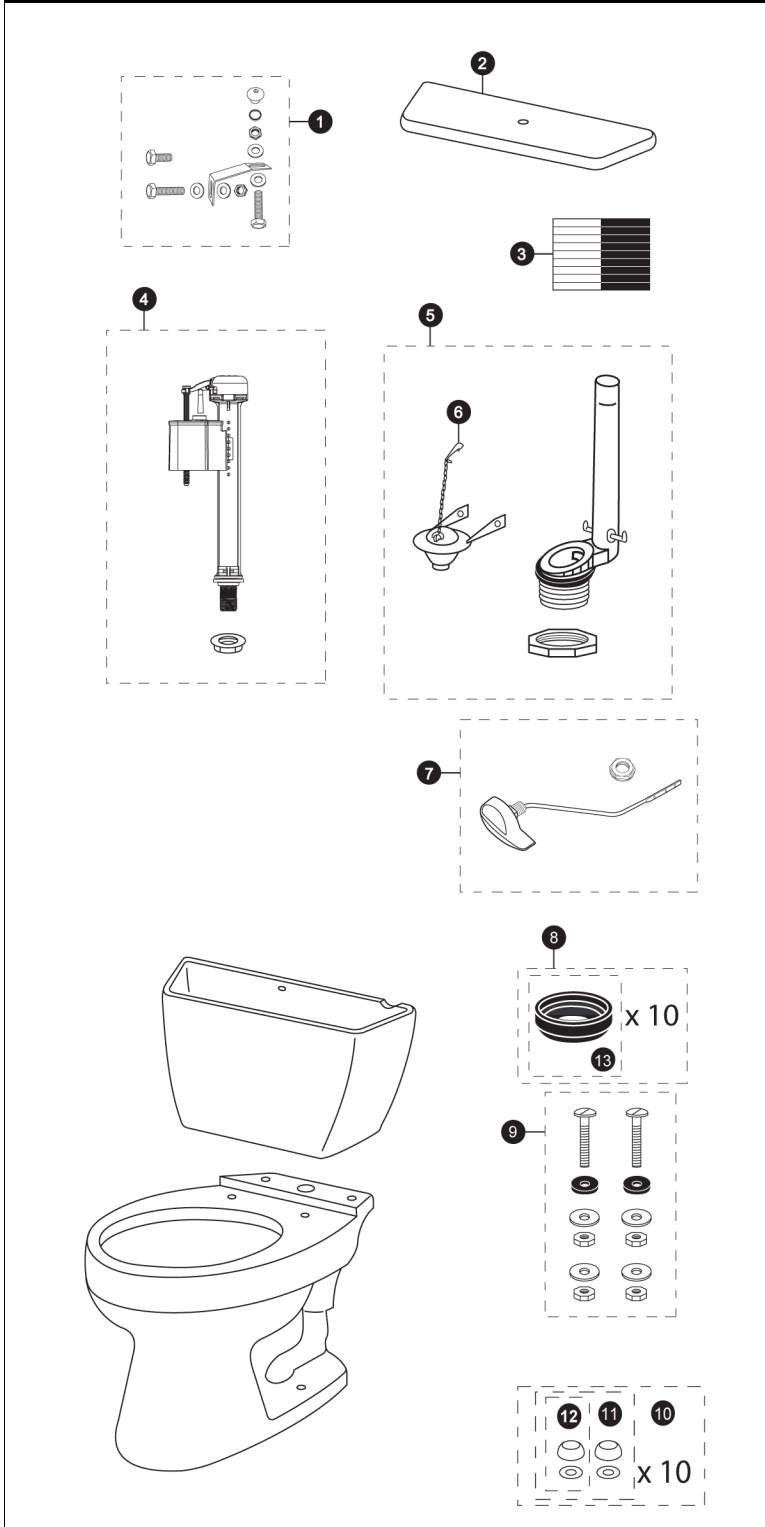


CST716B
ST706B
C716

Carusoe®
1.6 Gpf Toilet, Elongated,
Gravity, 12" Rough-In,
Bolt Down Tank Lid



Items	Parts	Description
1	THU089	Bolt Down Set
2	TCU706BCR#01	Bolt Down Tank Lid w/ Velcro - Cotton
	TCU706BCR#03	Bolt Down Tank Lid w/ Velcro - Bone
	TCU706BCR#11	Bolt Down Tank Lid w/ Velcro - Colonial White
	TCU706BCR#12	Bolt Down Tank Lid w/ Velcro - Sedona Beige
3	THU107	Velcro Tape
4	TSU99A.X	Fill Valve
5	THU255-A	Flush Valve
6	THU257	Flapper w/ Chain
7	THU061#01	Trip Lever - Cotton
	THU061#03	Trip Lever - Bone
	THU061#11	Trip Lever - Colonial White
	THU061#12	Trip Lever - Sedona Beige
	THU061#CP	Trip Lever - Polished Chrome
	THU061#BN	Trip Lever - Brushed Nickel
	THU061#PN	Trip Lever - Polished Nickel
8	THU102	Tank to Bowl Gaskets (10 pieces)
9	TSU01D	Tank Mounting Kit
10	THU098#01	Bolt Cap Sets - Cotton (20 pieces)
	THU098#03	Bolt Cap Sets - Bone (20 pieces)
	THU098#11	Bolt Cap Sets - Colonial White (20 pieces)
	THU098#12	Bolt Cap Sets - Sedona Beige (20 pieces)
11	THU044S#01	Bolt Cap Set - Cotton (2 pieces)
	THU044S#03	Bolt Cap Set - Bone (2 pieces)
	THU044S#11	Bolt Cap Set - Colonial White (2 pieces)
	THU044S#12	Bolt Cap Set - Sedona Beige (2 pieces)
12	THU044#01	Bolt Cap - Cotton
	THU044#03	Bolt Cap - Bone
	THU044#11	Bolt Cap - Colonial White
	THU044#12	Bolt Cap - Sedona Beige
13	9BU014E	Tank to Bowl Gasket

Note:

Product Number Explanations

Two-Piece Toilet

(CST) Gravity Type Toilet
(716) Model
(B) Bolt Down Tank Lid

Tank

(ST) Tank
(706) Model
(B) Bolt Down Tank
Lid

Bowl

(C) Bowl
(716) Model