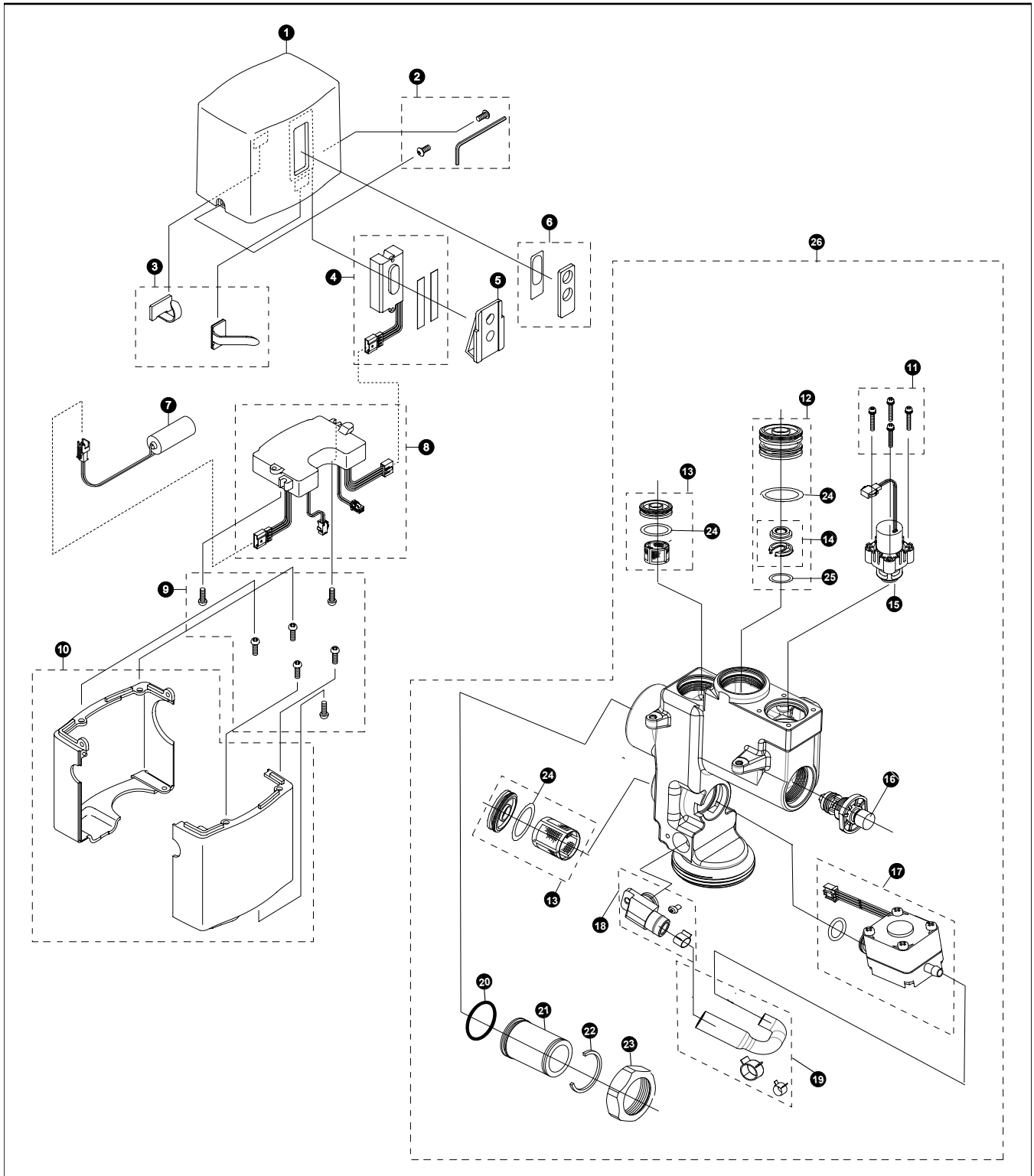


TEU1UN#CP Series

TEU1UN12#CP
TEU1UN#CP

EcoPower® Sensor A Pint Urinal Flush Valve Exposed - 1/8 GPF Hydro-Power Charge



TEU1UN#CP Series

TEU1LN12#CP
TEU1UN#CP

EcoPower® A Pint Urinal Flush Valve Exposed - 1/8 GPF Hydro-Power Charge

Item	Part	Description	Item	Part	Description
1	TH559EDV511	Top Cover	Vacuum Breaker Sets		
2	8HU5016	Vandal Resist Set Screw & Allen Wrench Kit	VB9CP-12		Exposed - Top Spud (3/4" Outlet)
3	TH559EDV517	Clamp Set	Notes		
4	THP3005	Sensor Controller & Packing Set (1/8 Gpf only)	For additional information, refer to the individual vacuum breaker parts sheets.		
5	TH559EDV516	Holder			
6	TH559EDV514	Glass & Packing Set			
7	THP3053	Back-Up Battery			
8	TH559EDV519	Controller (Urinal)			
9	TH559EDV513	M4 Screws (5 pieces)			
10	TH559EDV512	Lower Cover Set			
11	TH559EDV301	Double Sems Screws M3 (4 pieces)			
12	THP3006	Regulator Cap			
13	THP3007	Primary Filter			
14	THP3008	Flow regulator			
15	THP3009	Solenoid Unit & Diaphragm Assy			
16	TH559EDV506	Manual Flushing Button			
17	THP3010	Hydro-Power Generator			
18	THP3011	Hose Adapter			
19	THP3012	Rubber hose connector			
20	TH305SV106	O-Rings (Tail Piece)(10 Pieces)			
21	TH305SV114	Tail Piece			
22	TH305SV105	Locking Rings (10 Pieces)			
23	TH305SV113	Nut			
24	THP3013	Regulator Cap O-ring			
25	THP3014	Flow Regulator washer			
26	THP3015	Valve Body Assembly (1/8gpf)			

Product Number Explanations

Flush Valve
 (T) Fitting
 (E) Electronic
 (U) Urinal
 (1) Exposed
 (U) Ultra Low A Pint Hydro Generator
 (N) Neutral Rough-In
 (1) 3/4" Outlet
 (2) Top Spud
 (#CP) Chrome Finish