

## EcoPower® Toilet Flushometer Valve, 1.6 gpf

### FEATURES

- Hydropower self-generating system
- Electronic flushometer valve, neutral rough-in, complete with 1" angle stop and 1-1/2" vacuum breaker set
- For use with 24" vacuum breakers
- 1.6 gpf or less
- Manual override button
- 24 hour automatic flush for trap seal protection

### MODELS

- TET6GNC  
Valve only, Left and right rough,  
Polished Chrome finish
- TET6GNC-32 (1-1/2" Vacuum breaker)  
Left and right rough, Polished Chrome finish  
Complete set supplied with:  
Vacuum breaker & angle stop set - VBXCP-32
  - 1" Angle stop - 10077t3
  - 1-1/2" Vacuum breaker, 24" long - 10075T1L
  - Spud nut & escutcheon - 71051Nt6
  - Sweat solder kit - TH559EDVSJ3
- Optional Part:  
Z-4000-J - Adapter for ground joint angle stops



Piston Valve

### COLORS/FINISHES

- #CP Polished Chrome

### CODES/STANDARDS

- Meets or exceeds ASSE 1037, CSA B125.3
- Certifications: IAPMO(cUPC), ASSE, State of Massachusetts, City of Los Angeles, and others
- Code Compliance: UPC, IPC, NSPC, NPC Canada, and others
- ADA compliant



### PRODUCT SPECIFICATION

TOTO® Model No. \_\_\_\_\_  
Automatic infrared sensor activated, toilet flush valve designed for use with 24" vacuum breakers. Heavy-duty zinc die cast cover with polished chrome finish. Vandal resistant hex head screws. Low water consumption of 1.6 gallons per flush. Automatic sensor adjustment on installation. Manual override button incorporated. Piston valve and solenoid with self-cleaning mechanism. Automatic flush every twenty four hours if not used. Angle stop and vacuum breaker included with accessories. Through the use of TOTO's EcoPower® Flush Valves, using the valve 12 flushes per day will fully recharge the valve for up to 10 years.

# TET6GNC Series

## EcoPower® Toilet Flushometer Valve, 1.6 gpf

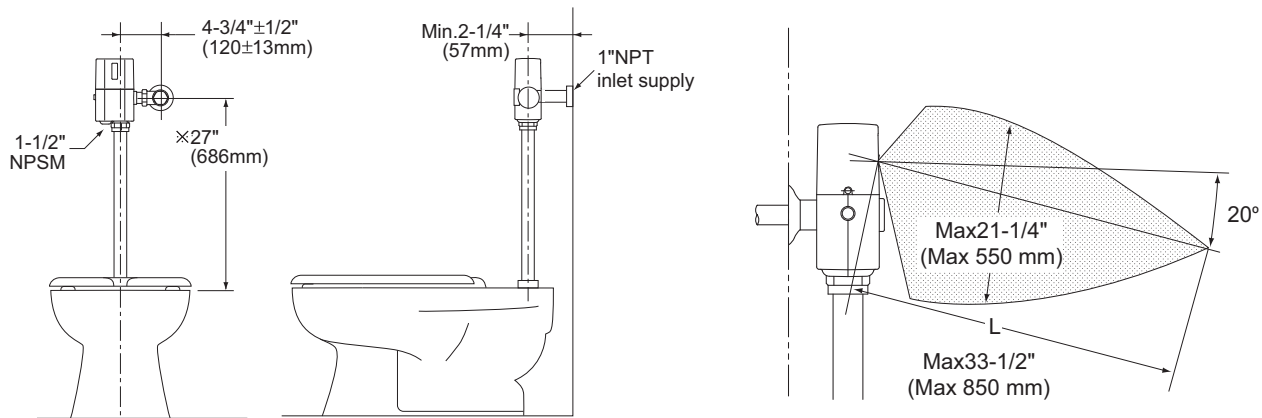
### SPECIFICATIONS

- Warranty Three Year Warranty
- Material Bronze casting with polished chrome finish
- Power Supply Hydropower self-generating system
- Water Supply 1" NPT
- Detection time Factory setting at six (6) seconds minimum
- Detection range Self-adjusting to environment
- Discharge quantity Preset to 1.6 gpf / 6.0 lpf
- Supply water pressure 15 psi - 125 psi\*
- Trap seal protection Automatically flushes once after twenty-four (24) hours of non-use

These specifications are subject to change without notice.  
 \*Water pressures over 80 psi are not recommended for most plumbing fixtures.  
 Check your local plumbing code for details.

### INSTALLATION NOTES

Alternate ADA Installation:  
 Use split grab bars.



\*Check local codes

**TOTO®**

*These dimensions and specifications are subject to change without notice*