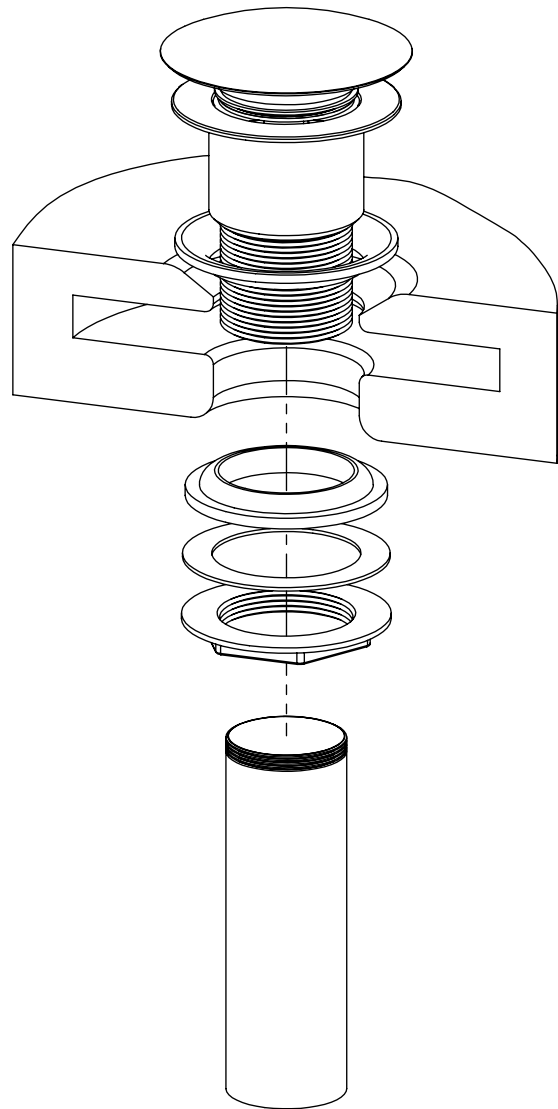
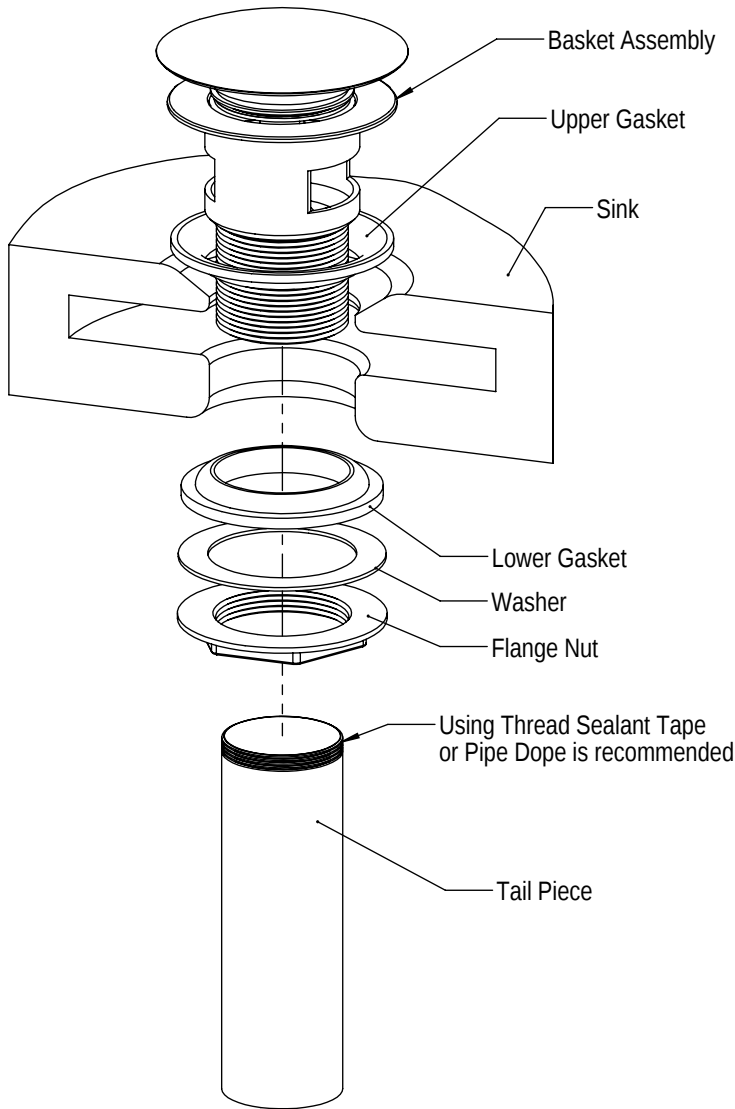


9DBEPU12/ 9DBEPU13
Exposed/ Concealed Push Up Drain with Overflow

9DBEPU14/ 9DBEPU15
Exposed/ Concealed Push Up Drain without Overflow *



INSTALLATION DETAILS:

- ⌄ Install the basket assembly with the upper gasket into the hole in the sink
- ⌄ Install the lower gasket. A clear adhesive silicone (not supplied) may be used to ensure a water tight seal
- ⌄ Install the washer and secure the basket by tightening the flange nut from underneath
- ⌄ Screw the tail piece into the basket
- ⌄ Connect the tail piece to the drain.