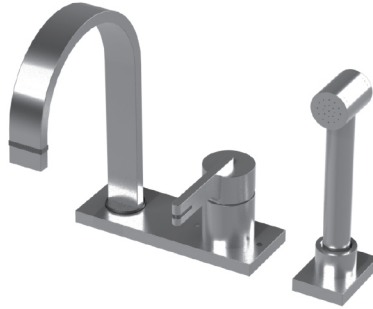


ASSEMBLY INSTRUCTION**8SRTL**

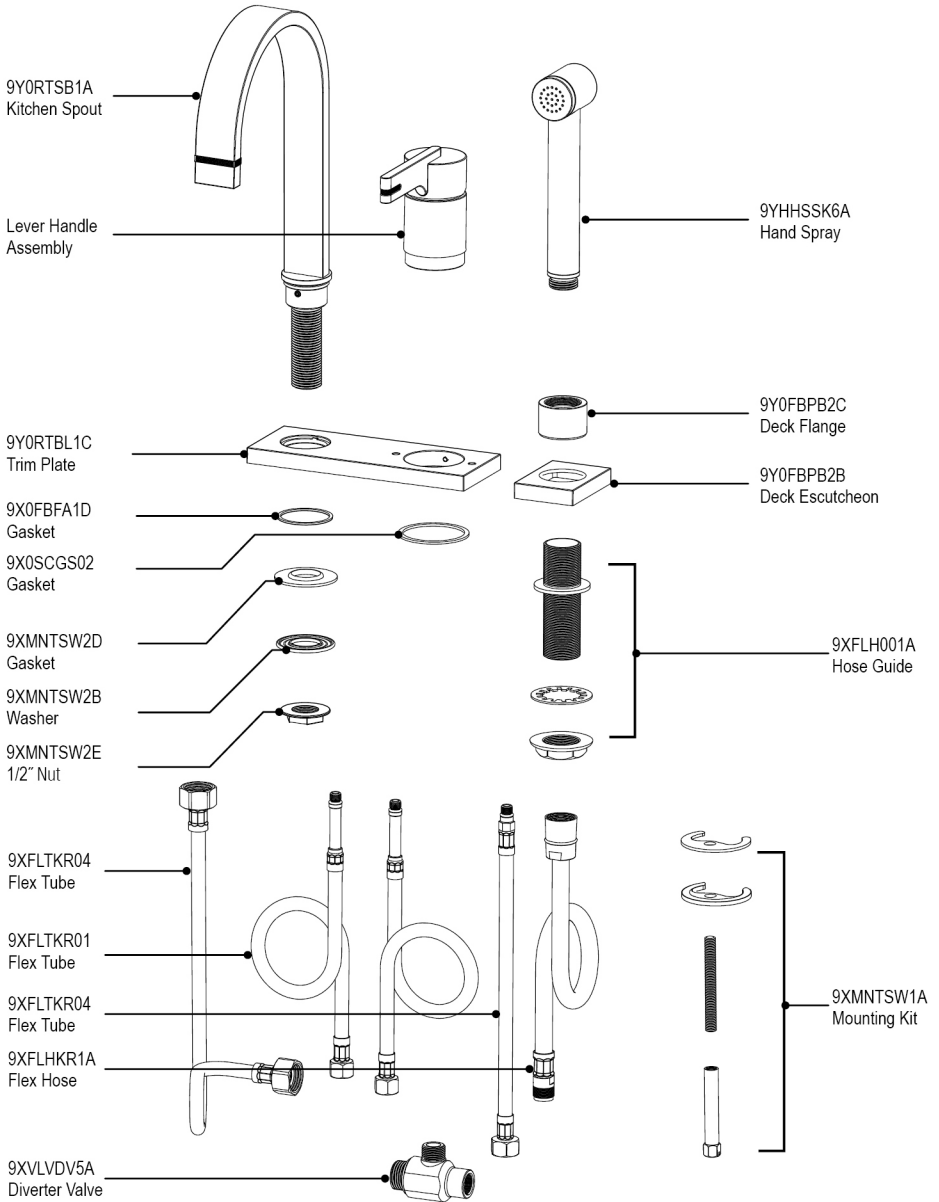
SINGLE CONTROL BAR FAUCET WITH HAND SPRAY

**8SRTL****REMOVAL OF FAUCET:**

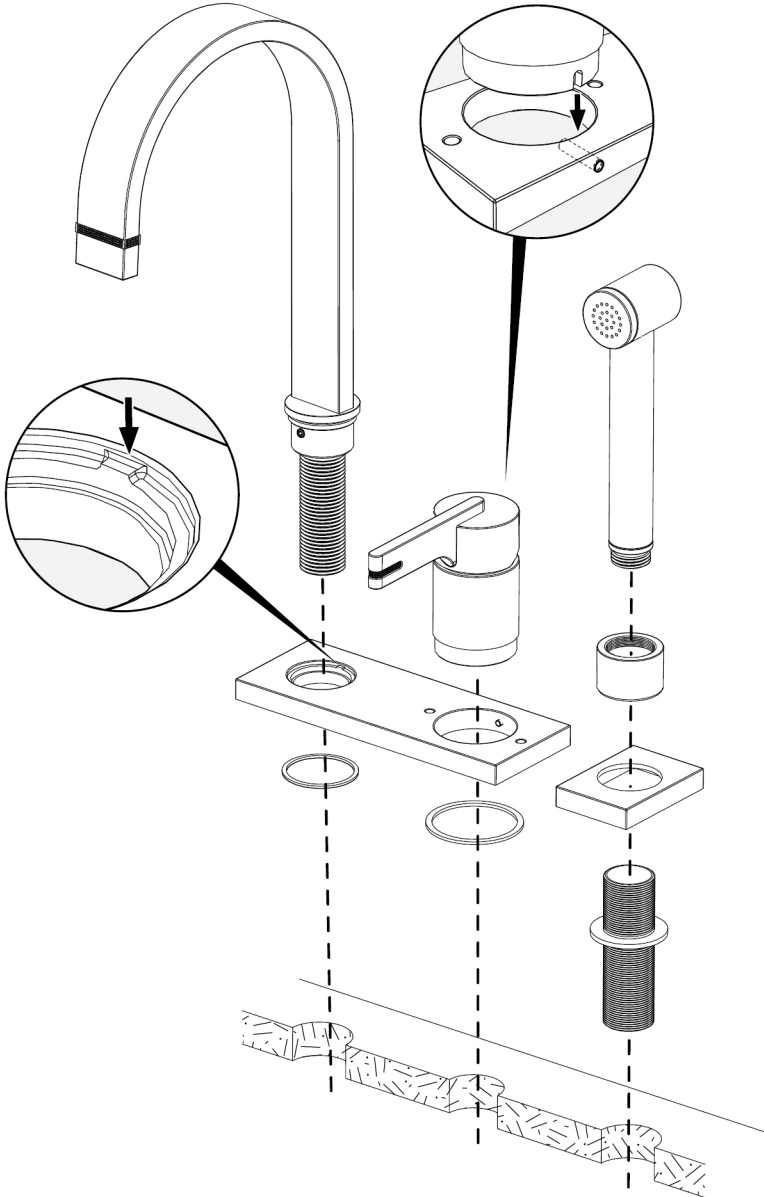
Always turn the water supply off before removing the existing faucet or disassembling a valve. Open both faucet handles to relieve water pressure and to ensure that the water has been successfully turned off.

CARE OF FAUCET:

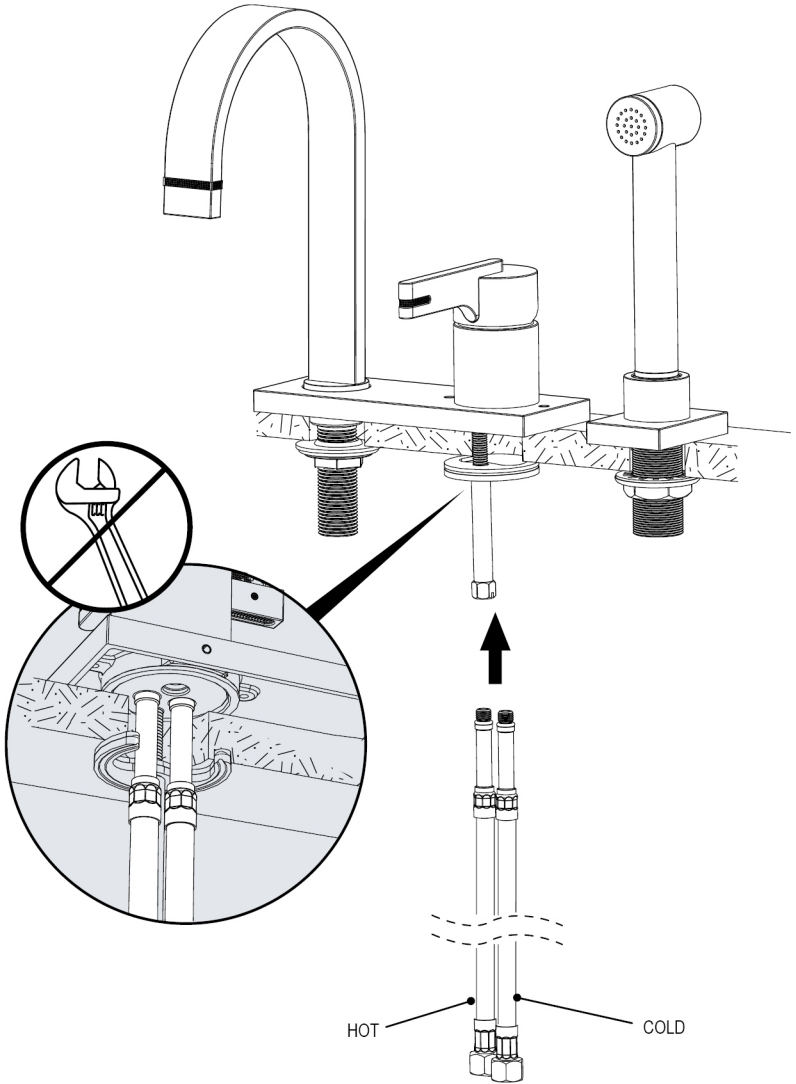
The use of warm water and a soft cloth is all that is required to clean Rubinet products. The patina of our living finishes (Oil Rubbed Bronze & Tuscan Brass) will change as a result of normal use. Applying Mineral Oil on occasion will create a softer look, subtle color changes and character.



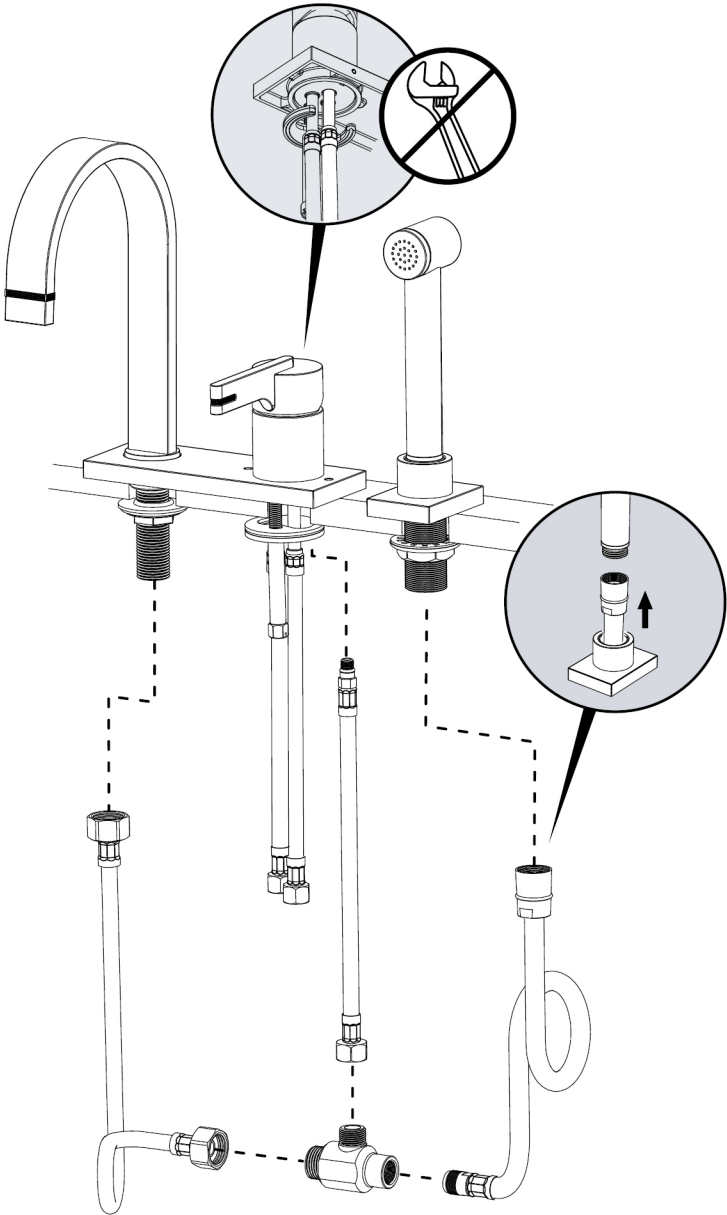
1



3

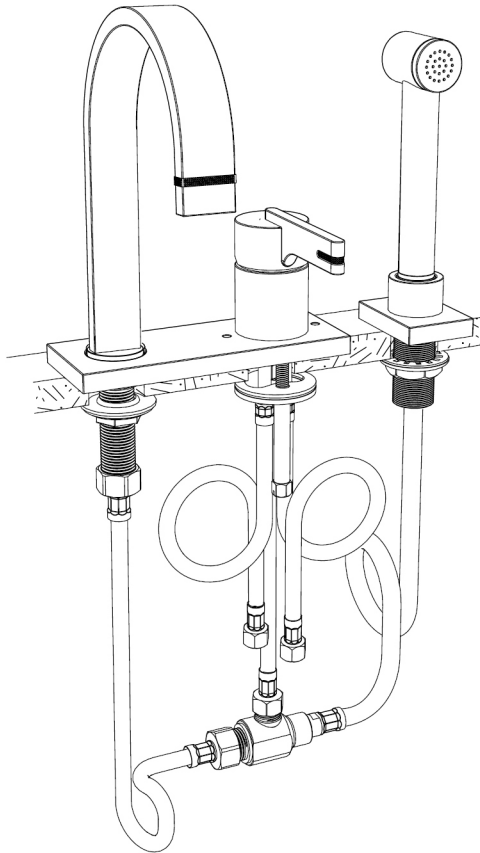


4



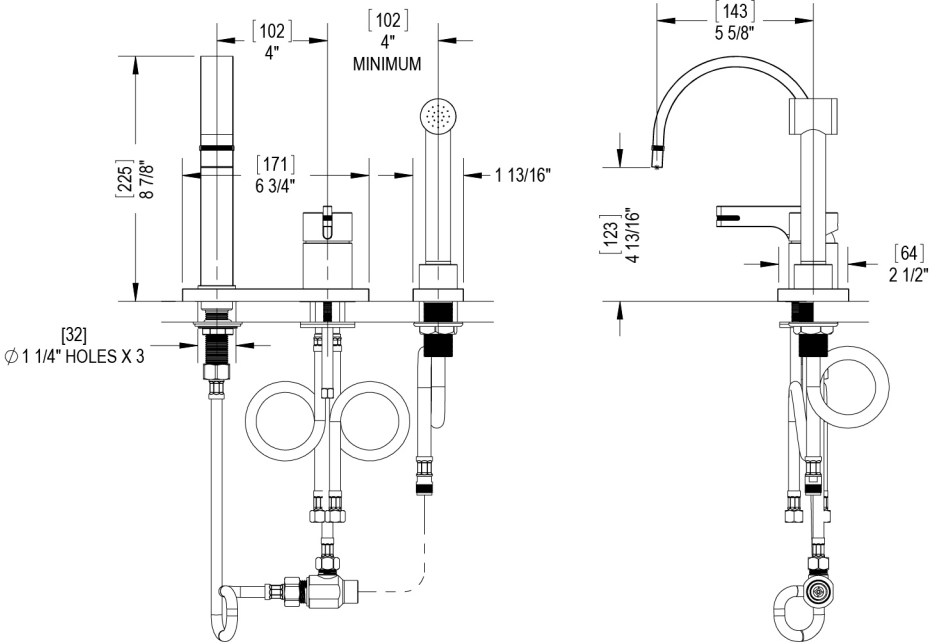
6

5



FEATURES:

- Brass construction with choice of 21 finishes
- Single Control Lever Handle
- One-Piece, ceramic disc cartridge for volume and temperature control
- Flexible Stainless Steel supply hoses for easy installation
- 2.2 gpm @ 60 psi



CONTACT US:

If you need assistance with installation, replacement parts or have any questions regarding your Rubinet product, please call a Customer Service representative at: 905-851-6781 toll free 1-800-461-5901 or visit www.rubinet.com