



Palla™ Light Kit

A Kichler® Décor™ light fixture
Designed to coordinate with a popular Kichler Décor™ ceiling fan.

KICHLER[®] SINCE 1938
CEILING FANS 

Kichler® Lighting
7711 East Pleasant Valley Road
P.O. Box 318010
Cleveland, Ohio 44131-8010

Customer Service
866.558.5706
8:30 AM to 5:00 PM EST,
Monday - Friday

Instruction Manual

KICHLER[®] SINCE 1938
CEILING FANS 

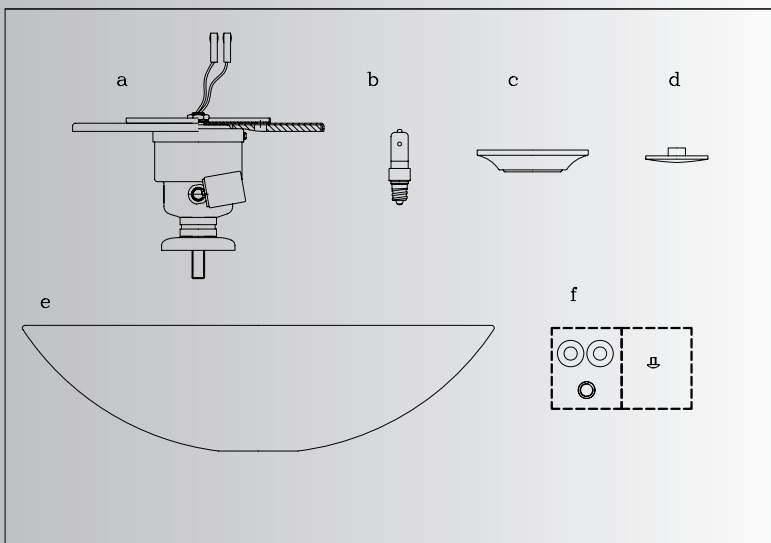
"CAUTION-RISK OF FIRE"
CONSULT A QUALIFIED ELECTRICIAN TO ENSURE
CORRECT BRANCH CIRCUIT CONDUCTOR.

1. SAFETY RULES

WARNING! RISK OF ELECTRIC SHOCK

All electrical connections must be made in accordance with local codes, ordinances, or national codes. If you are unfamiliar with installing electrical wiring, secure the services of a qualified electrician. Before starting this installation, disconnect the power by turning off the circuit breaker at your main panel or removing the fuse at the fuse block. Turning the power off using the ceiling fan switch (speed control on/off) is not sufficient to prevent electrical shock.

NOTE: The important safeguards and instructions appearing in this manual are not meant to cover all possible conditions and situations that may occur. It must be understood that common sense, caution and care are factors which cannot be built into any product. These factors must be supplied by the person (s) caring for and operating the unit.



2. PACKAGE CONTENTS

Unpack your fan and check the contents. You should have the following items:

- a. Light fixture
- b. 40 watt krypton lamps (3)
- c. Décor cap
- d. Finial
- e. Glass shade
- f. Part bag contents:

Rubber washer	Nut
Flat washer	Screws (4)

3. REMOVE THE BOTTOM CAP

Remove the bottom decorative cap by turning it counter clockwise. (Fig. 1)

NOTE: This decorative cap is not used after the light fixture is installed. However, it's a good idea to save it incase you want to remove the light fixture at some later date.

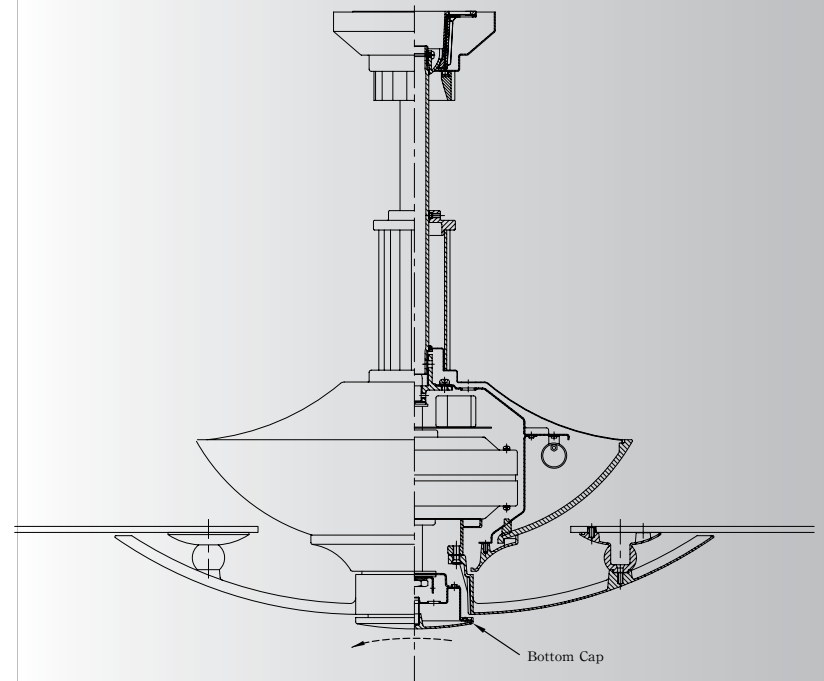


Fig. 1

4. INSTALLING THE LIGHT KIT

Step 1. Loosen the three mounting screws located on the light plate. (Fig. 2)

Step 2. Hold the light kit close to the light plate and connect the white wires from the light kit and the ceiling fan by pushing them together until they "click" into place. Follow the same procedure for the black wires.

Step 3. Tuck the wire connections neatly into the light plate.

Place the light kit key holes over the three mounting screws on the light plate. Rotate the light kit until the screws are at the narrow end of the key hole slots. Securely tighten all three screws.

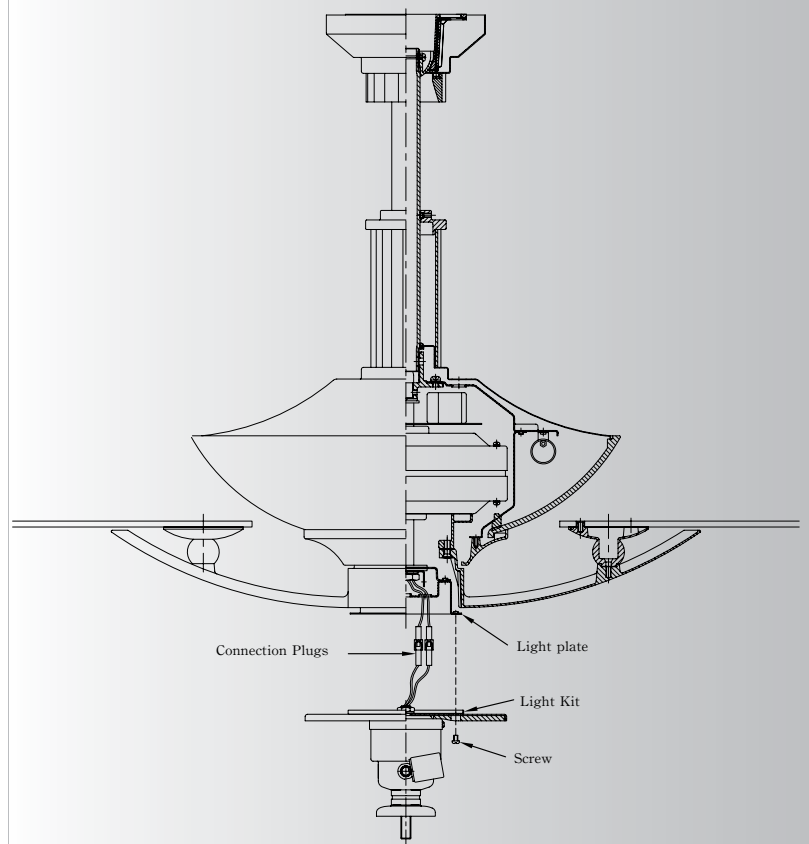
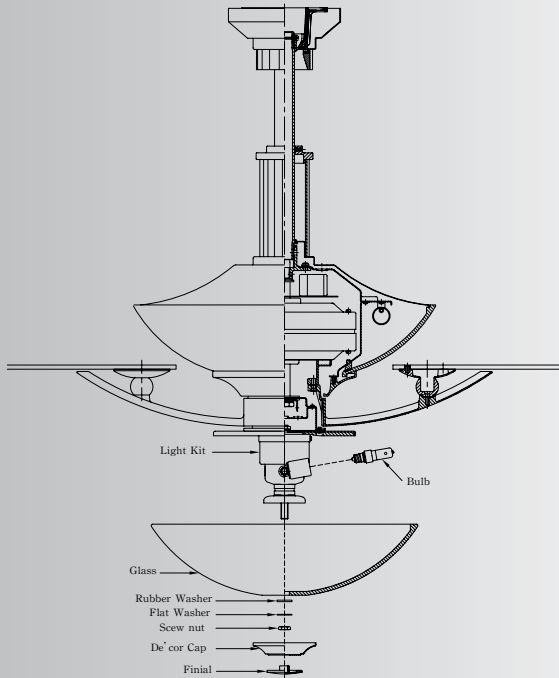


Fig. 2

**Fig. 3**

5. INSTALLING THE LIGHT BULBS & GLASS SHADE

Step 1. Install three (3) 40 watt lamps (included). One in each of the light kit sockets. (Fig. 3)

Step 2. Place the center hole in the glass shade onto the threaded pipe from the light kit.

While holding the glass shade, place the rubber washer, flat washer onto the threaded pipe and then thread the retaining nut onto the pipe.

Finally, place the Decor Cover on the threaded pipe and thread the Finial on securely.

Step 3. Restore power only after installation is completed.