



Arkwright™ Fluorescent Light Fixture
A Kichler Ceiling Fan Accessory
Designed to Coordinate with the Kichler® Arkwright™ Ceiling Fan

KICHLER
LIGHTING 

Kichler® Lighting
7711 East Pleasant Valley Road
P.O. Box 318010
Cleveland, Ohio 44131-8010

Customer Service
866.558.5706
8:30 AM to 5:00 PM EST,
Monday - Friday

Instruction Manual

KICHLER
LIGHTING 

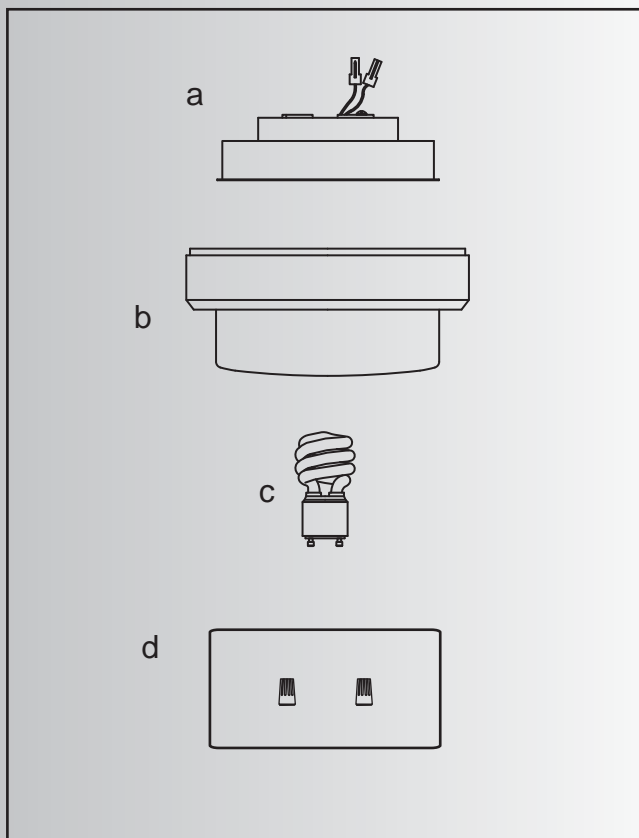
**"CAUTION-RISK OF FIRE"
CONSULT A QUALIFIED ELECTRICIAN TO
ENSURE CORRECT BRANCH CIRCUIT
CONDUCTOR.**

1. SAFETY RULES

WARNING! RISK OF ELECTRIC SHOCK

All electrical connections must be made in accordance with local codes, ordinances, or national codes. If you are unfamiliar with installing electrical wiring, secure the services of a qualified electrician. Before starting this installation, disconnect the power by turning off the circuit breaker at your main panel or removing the fuse at the fuse block. Turning the power off using the ceiling fan switch (speed control on/off) is not sufficient to prevent electrical shock.

NOTE: The important safeguards and instructions appearing in this manual are not meant to cover all possible conditions and situations that may occur. It must be understood that common sense, caution and care are factors which cannot be built into any product. These factors must be supplied by the person (s) caring for and operating the unit.



2. PACKAGE CONTENTS

Unpack your fan and check the contents. You should have the following items:

- a. Socket plate
- b. Glass shade
- c. 18 watt GU24 compact fluorescent lamp
- d. Part bag contents:
wire nuts (2)

3. REMOVING THE DECORATIVE BOTTOM COVER & SOCKET PLATE

Step 1. Remove the Decorative bottom cover from the ceiling fan by turning bottom cover counterclockwise. (see figure 1)

Step 2. Remove the bottom cover mounting plate by loosening two of the mounting screws and removing the third, all located on the mounting ring.

Rotate the bottom cover counterclockwise so the mounting screw heads are at the "large" end of the keyhole slots and remove the housing. (see figure 2)

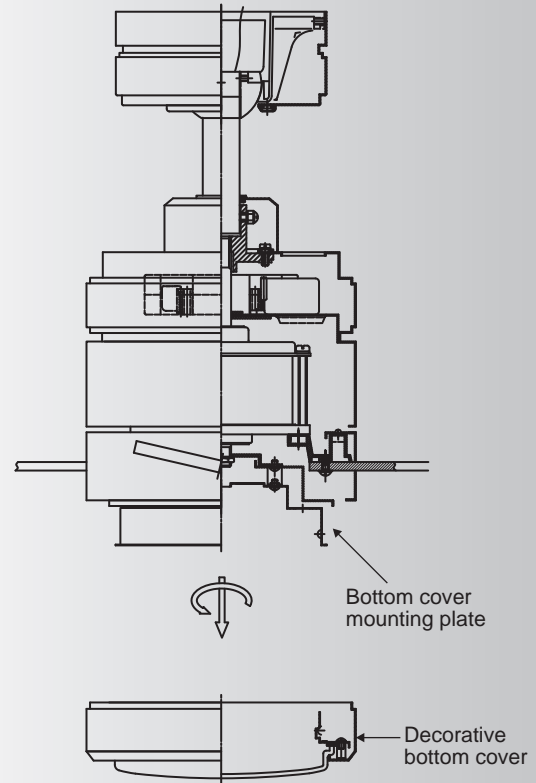


Fig. 1

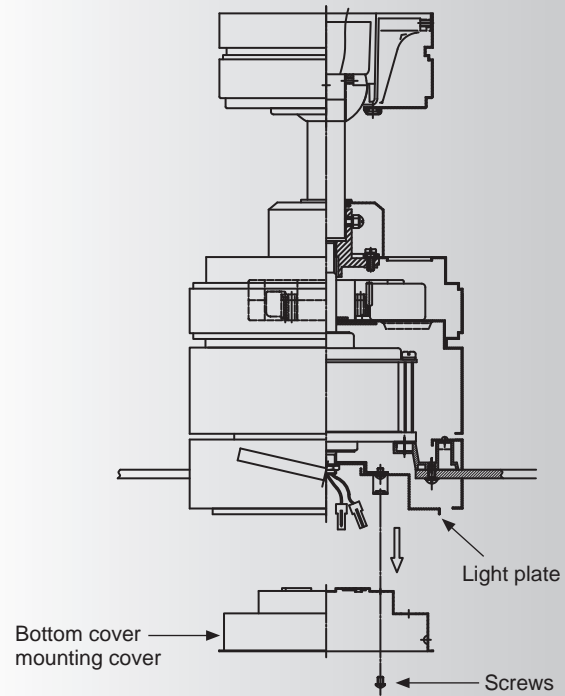


Fig. 2

4. INSTALLING THE LIGHT FIXTURE

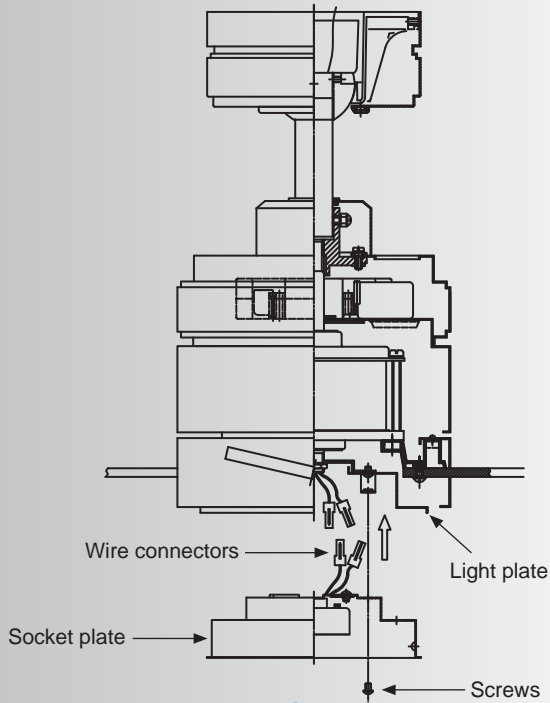


Fig. 3

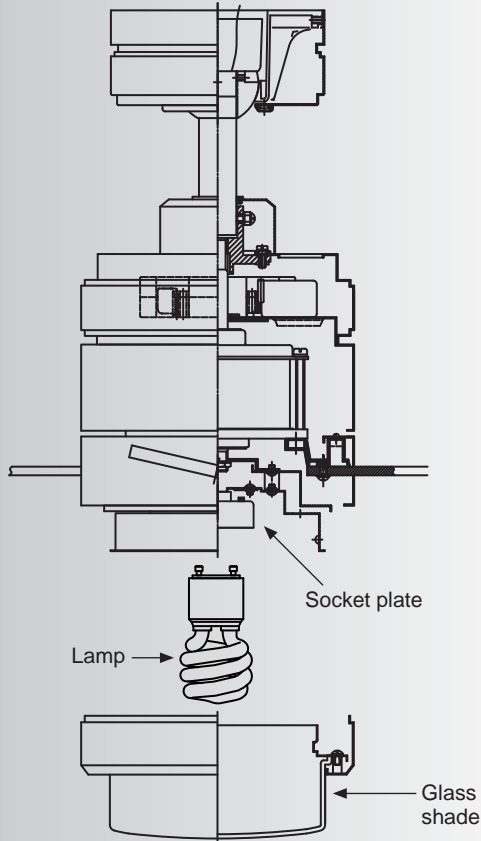


Fig. 4

1. Raise and hold the socket plate close to the light plate of the ceiling fan. Attach the fixture wires to the fan by pushing the wire connectors together. White from the fixture to the White wire from the fan. Blue wire from the fixture to the Black wire from the fan. (Fig. 3)

2. Carefully push all wires back into the light plate, then install the socket plate onto the light plate with 3 screws provided. Be sure to tighten all screws. (Fig. 3)

3. Install the 18 watt GU24 compact fluorescent lamp (provided) to the fixture socket. (Fig. 4)

4. Attach the glass shade to the socket plate by turning the glass shade clockwise. **DO NOT OVER TIGHTEN.** (Fig. 4)

5. Your installation is now complete. Restore electrical power and enjoy your new ceiling fan light kit.