



Brinbourne™ Bowl Fixture

A Kichler® Decor™ light fixture

Designed to coordinate with a popular Kichler® ceiling fan

KICHLER
LIGHTING 

Kichler® Lighting
7711 East Pleasant Valley Road
P.O. Box 318010
Cleveland, Ohio 44131-8010

Customer Service
866.558.5706
8:30 AM to 5:00 PM EST,
Monday - Friday

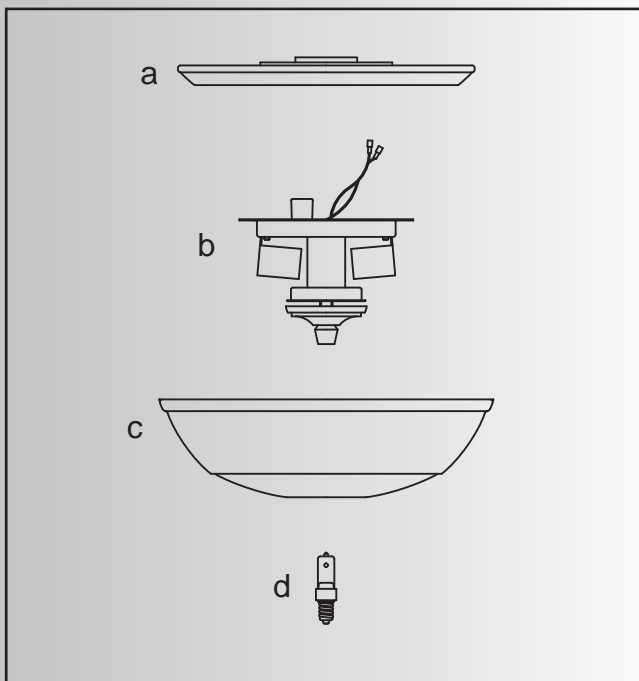
Instruction Manual

KICHLER
LIGHTING 

**"CAUTION-RISK OF FIRE"
CONSULT A QUALIFIED ELECTRICIAN TO
ENSURE CORRECT BRANCH CIRCUIT
CONDUCTOR.**

Special Notice: This appliance is equipped with a "Wattage Limiting Device" required by the United States Department of Energy. The device has been installed at the factory and can not be removed.

Installing Lamps in excess of 190 total watts will disable the units light fixture. If this should happen, you will need to reset the lighting fixture by turning the power off to the ceiling fan and/or light fixture, reinstalling lamps totaling less than 190 watts and then turning the power back on.



1. SAFETY RULES

WARNING! RISK OF ELECTRIC SHOCK

All electrical connections must be made in accordance with local codes, ordinances, or national codes. If you are unfamiliar with installing electrical wiring, secure the services of a qualified electrician. Before starting this installation, disconnect the power by turning off the circuit breaker at your main panel or removing the fuse at the fuse block. Turning the power off using the ceiling fan switch (speed control on/off) is not sufficient to prevent electrical shock.

NOTE: The important safeguards and instructions appearing in this manual are not meant to cover all possible conditions and situations that may occur. It must be understood that common sense, caution and care are factors which cannot be built into any product. These factors must be supplied by the person (s) caring for and operating the unit.

2. PACKAGE CONTENTS

Unpack your light fixture and check the contents. You should have the following items:

- a. Light kit mounting plate
- b. Light fixture
- c. Glass Shade
- d. 40 Watt/E12 T3 krypton lamps (3)

3. REMOVING THE DECORATIVE CAP & BOTTOM HOUSING

Step 1. Remove the Plug and Decorative Cap from the ceiling fan by unscrewing the Plug. (see figure 1)

Step 2. Remove the Bottom Housing by loosening two of the mounting screws and removing the third, all located on the mounting ring.

Rotate the housing counter-clockwise so the mounting screw heads are at the "large" end of the keyhole slots and remove the housing. (see figure 2)

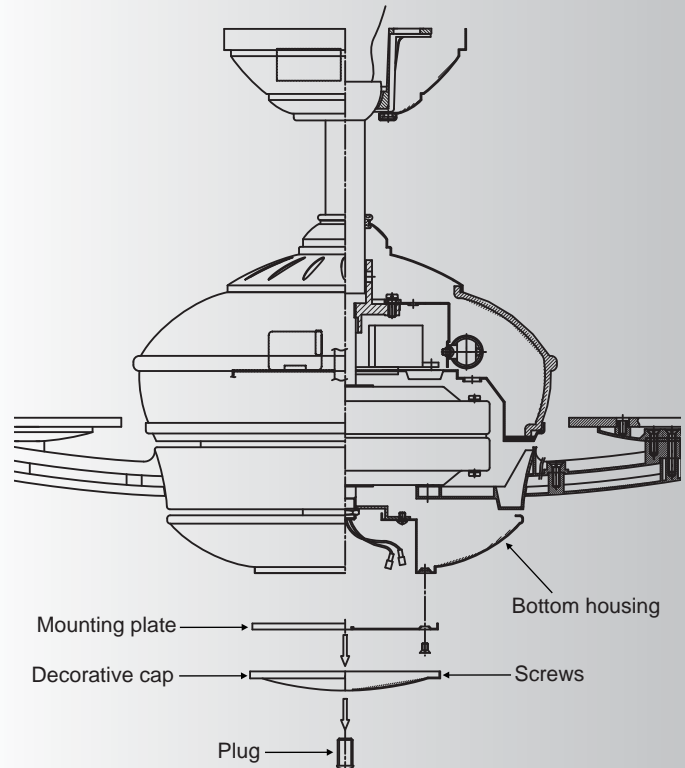


Fig. 1

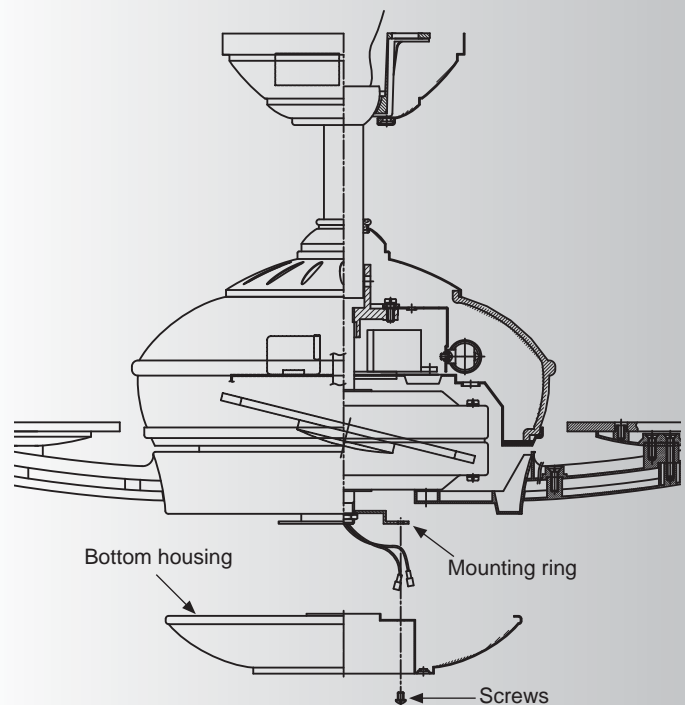
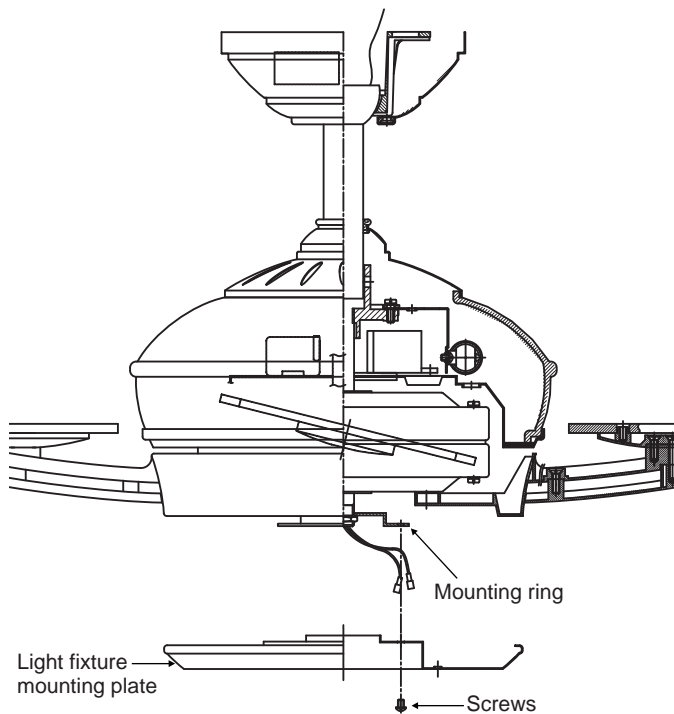
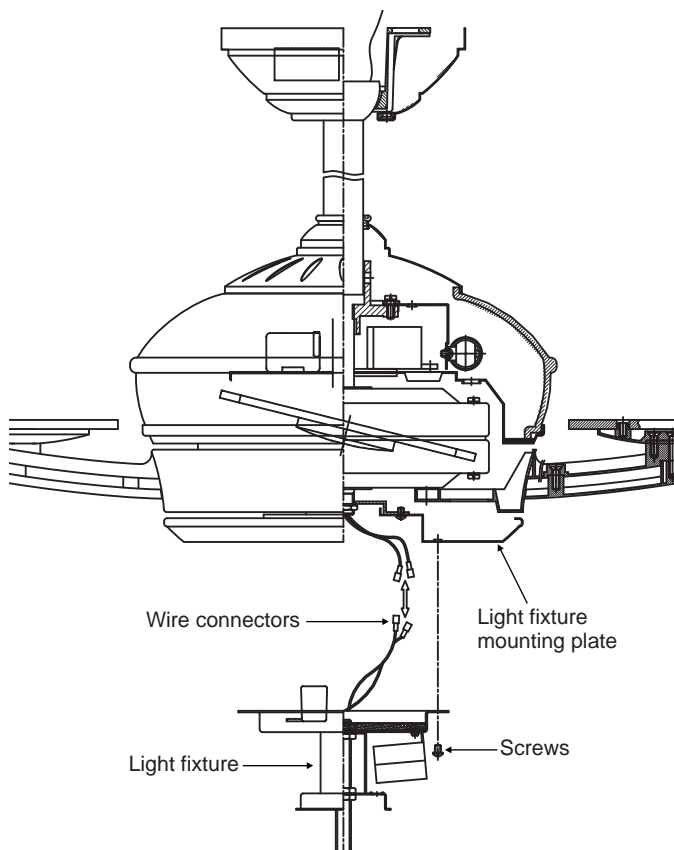


Fig. 2


Fig. 3

Fig. 4

4. INSTALLING THE LIGHT FIXTURE

NOTE: This ceiling fan light fixture is specifically designed to fit the Kichler® Brinbourne™ Ceiling Fan 300262. It will not fit or work with ANY OTHER ceiling fan.

1. Place the keyhole slots on the light fixture mounting plate over the two screw heads previously loosened on the mounting ring.

Turn the mounting plate until it locks in place at the narrow section of the keyhole slots.

Replace the screw you removed and tighten all three mounting screws. (see figure 3)

2. Loosen two of the mounting screws located on the light fixture mounting plate. Remove and save the third screw.

3. Raise and hold the light fixture assembly close to the light fixture mounting plate. Attach the wires from the light fixture to the wires from the fan by pushing the polarized connections together.

- White wire to White wire
- Black wire to Blue wire

4. Carefully push all the wires back into the mounting plate.

5. Place the keyholes on the light fixture over the screw heads previously loosened. Turn the fixture until the screw heads lock into place at the narrow end of the keyhole slots. Replace the screw removed and tighten all three mounting screws. (see figure 4)

5. INSTALLING THE LAMPS & GLASS SHADES

1. Install all 3, 40 Watt/E12 T3 krypton lamps (provided), one in each fixture socket.
2. Now place the glass shade over the light fixture stem. Secure the shade with a lock washer, metal nut (rubber side touching the shade) and decorative nut. (Fig. 5)
3. Your installation is now complete. Restore electrical power and enjoy your new ceiling fan light kit.

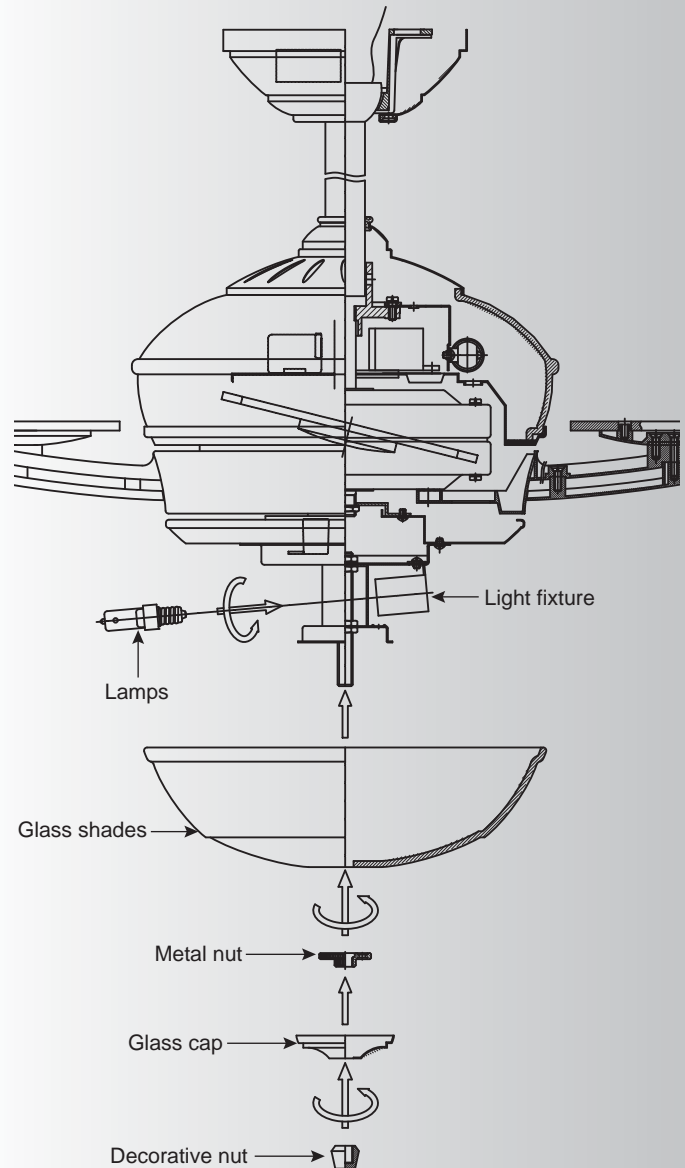


Fig. 5