



## Brinbourne™ 3 Light Fixture

A Kichler® Decor™ light fixture

Designed to coordinate with a popular Kichler® ceiling fan

**KICHLER**  
LIGHTING 

Kichler® Lighting  
7711 East Pleasant Valley Road  
P.O. Box 318010  
Cleveland, Ohio 44131-8010

Customer Service  
866.558.5706  
8:30 AM to 5:00 PM EST,  
Monday - Friday

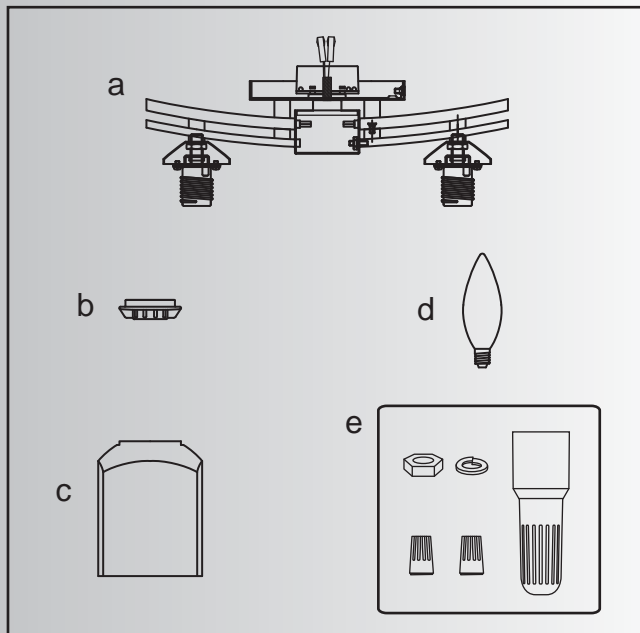
Instruction Manual

**KICHLER**  
LIGHTING 

**"CAUTION-RISK OF FIRE"  
 CONSULT A QUALIFIED ELECTRICIAN TO  
 ENSURE CORRECT BRANCH CIRCUIT  
 CONDUCTOR.**

**Special Notice:** This appliance is equipped with a "Wattage Limiting Device" required by the United States Department of Energy. The device has been installed at the factory and can not be removed.

Installing Lamps in excess of 190 total watts will disable the units light fixture. If this should happen, you will need to reset the lighting fixture by turning the power off to the ceiling fan and/or light fixture, reinstalling lamps totaling less than 190 watts and then turning the power back on.



## 1. SAFETY RULES

### **WARNING! RISK OF ELECTRIC SHOCK**

All electrical connections must be made in accordance with local codes, ordinances, or national codes. If you are unfamiliar with installing electrical wiring, secure the services of a qualified electrician. Before starting this installation, disconnect the power by turning off the circuit breaker at your main panel or removing the fuse at the fuse block. Turning the power off using the ceiling fan switch (speed control on/off) is not sufficient to prevent electrical shock.

**NOTE:** The important safeguards and instructions appearing in this manual are not meant to cover all possible conditions and situations that may occur. It must be understood that common sense, caution and care are factors which cannot be built into any product. These factors must be supplied by the person (s) caring for and operating the unit.

## 2. PACKAGE CONTENTS

Unpack your light fixture and check the contents. You should have the following items:

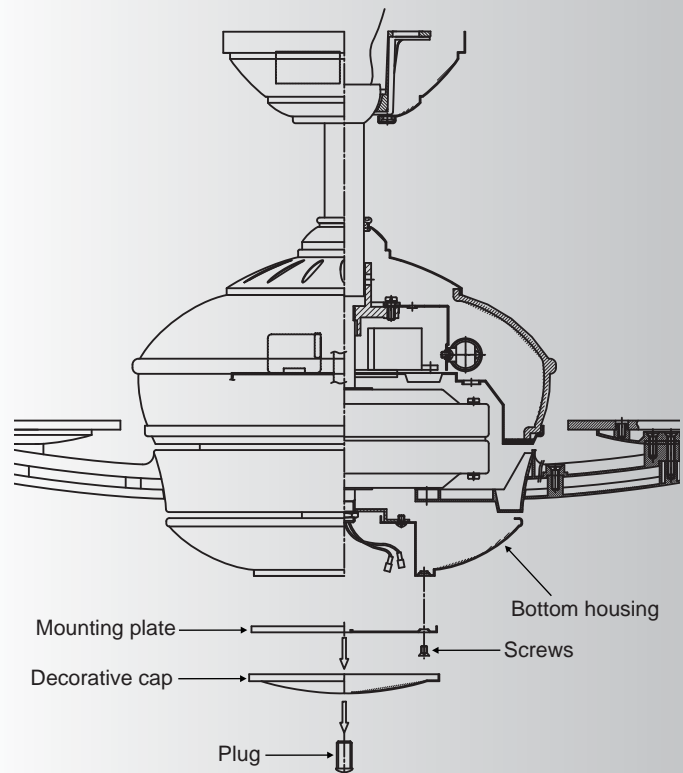
- a. Light Fixture
- b. Glass Shade Retainer Nuts (3) (Pre-installed on the Light Fixture Sockets)
- c. Glass Shades (3)
- d. 3, 40 Watt E-12 Candelabra Lamps
- e. Part bag contents:
  - Nut
  - Spring Washer
  - Wire Nuts (2)
  - Light Socket Retainer Nut Wrench

## 3. REMOVING THE DECORATIVE CAP

**Step 1.** Remove the Plug and Decorative Cap from the ceiling fan by unscrewing the Plug. (see figure 1)

**Step 2.** Remove the Mounting Plate by removing two of the three screws around the outside edge of the plate and loosening the third.

Rotate the mounting plate so the remaining screw heads are in the large end of the keyhole slots and remove the plate. (see figure 1)

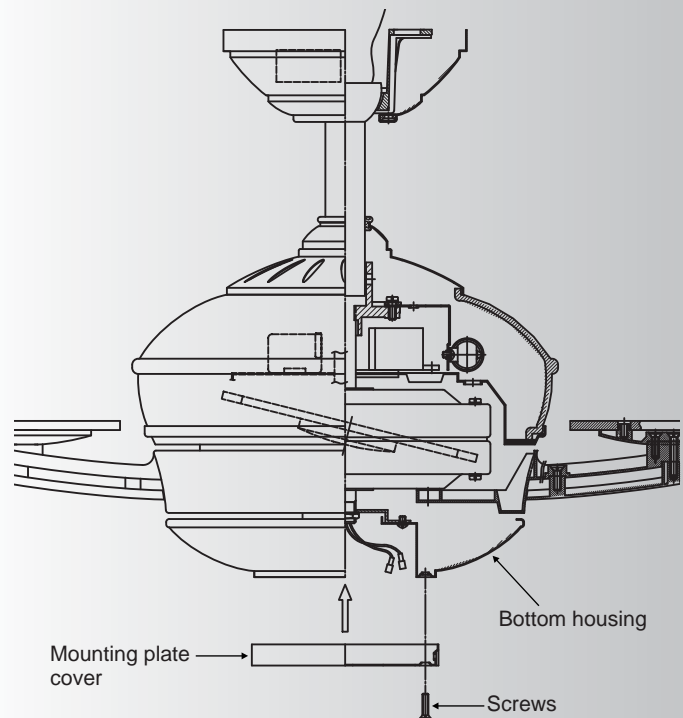


**Fig. 1**

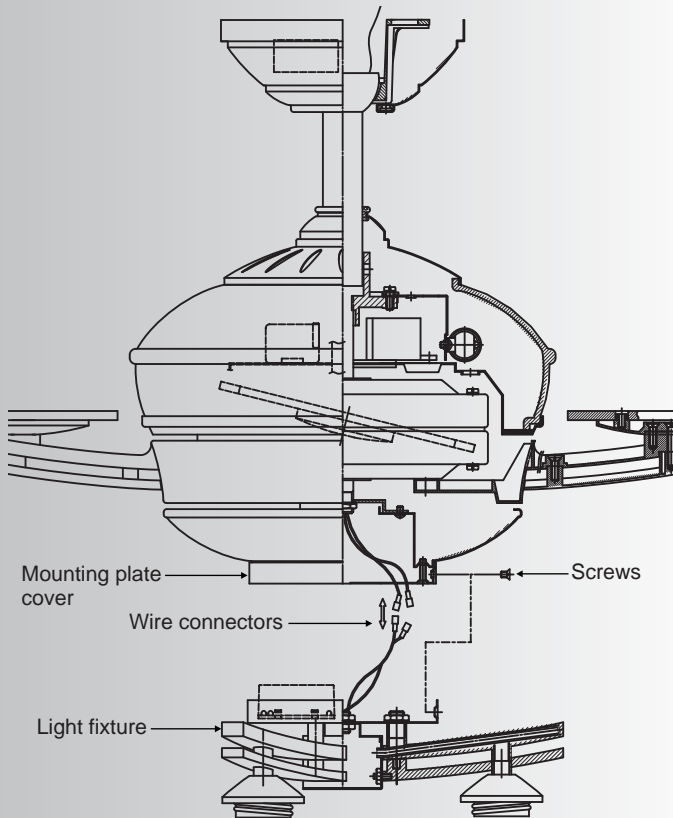
## 4. INSTALLING THE LIGHT FIXTURE

**NOTE:** This ceiling fan light fixture is specifically designed to fit the Kichler® Brinbourne™ Ceiling Fan 300262. It will not fit or work with ANY OTHER ceiling fan.

1. Attached the new mounting plate by placing the keyholes over the two screw heads previously loosened, rotate the mounting plate so the screw heads are at the narrow end of the keyholes. Replace the third screw and tighten all three screws. (see figure 2).



**Fig. 2**

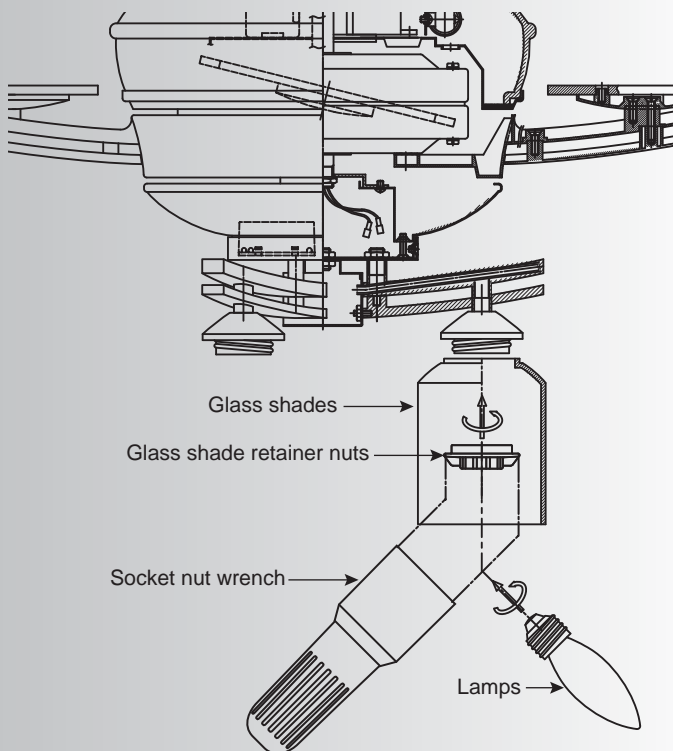

**Fig. 3**

2. Raise and hold the light fixture assembly close to the mounting plate cover. Attach the wires from the light fixture to the wires from the fan by pushing the polarized connections together.

- White wire to White wire
- Black wire to Blue wire

3. Carefully push all the wires back into the mounting plate.

Attach the light fixture assembly to the mounting plate by aligning the screw holes (3) around the outside edge of the light fixture mount plate with the holes on the fan mounting plate. Insert all three screws and tighten.


**Fig. 4**

## 5. INSTALLING THE LAMPS & GLASS SHADES

1. Remove the glass shade retainer nut from each socket. Place a glass shade over the socket and replace the retainer nut. Do Not over tighten but make sure the retainer nut is secure and snug.

**NOTE:** A Socket Nut Wrench has been provided to help in this installation.

2. Install 3, 40 Watt E-12 candelabra lamps (included). (Fig. 4)

3. Your installation is now complete. Restore electrical power and enjoy your new ceiling fan light fixture.