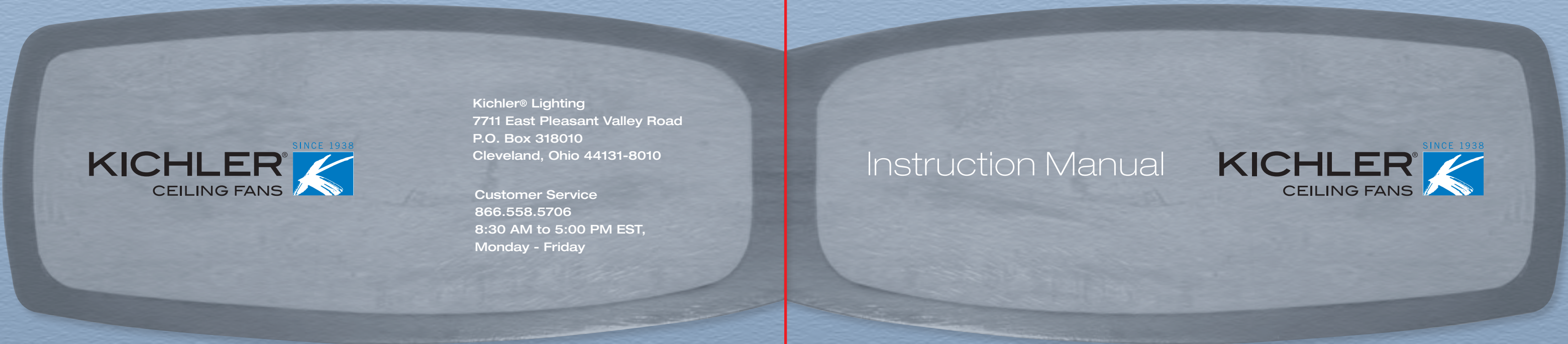


Olympia™

A Kichler® Décor™ light fixture

Designed to coordinate with a popular Kichler Décor™ ceiling fan.



KICHLER® SINCE 1938
CEILING FANS 

Kichler® Lighting
7711 East Pleasant Valley Road
P.O. Box 318010
Cleveland, Ohio 44131-8010

Customer Service
866.558.5706
8:30 AM to 5:00 PM EST,
Monday - Friday

Instruction Manual

KICHLER® SINCE 1938
CEILING FANS 

**"CAUTION-RISK OF FIRE"
CONSULT A QUALIFIED ELECTRICIAN TO
ENSURE CORRECT BRANCH CIRCUIT
CONDUCTOR.**

1. SAFETY RULES

WARNING! RISK OF ELECTRIC SHOCK

All electrical connections must be made in accordance with local codes, ordinances, or national codes. If you are unfamiliar with installing electrical wiring, secure the services of a qualified electrician. Before starting this installation, disconnect the power by turning off the circuit breaker at your main panel or removing the fuse at the fuse block. Turning the power off using the ceiling fan switch (speed control on/off) is not sufficient to prevent electrical shock.

NOTE: The important safeguards and instructions appearing in this manual are not meant to cover all possible conditions and situations that may occur. It must be understood that common sense, caution and care are factors which cannot be built into any product. These factors must be supplied by the person (s) caring for and operating the unit.

2. INSTALLING THE LIGHT KIT

1. Raise and hold the light kit metal assembly close to the mounting plate. Connect the white wire connectors from the light kit and the ceiling fan by pushing them together. Follow the same procedure with the black wire connectors. (Fig. 1)

2. Carefully push all wires back into the mounting plate, then install the light kit assembly onto the mounting plate with 3 screws provided. Be sure to tighten all screws. (Fig. 1)

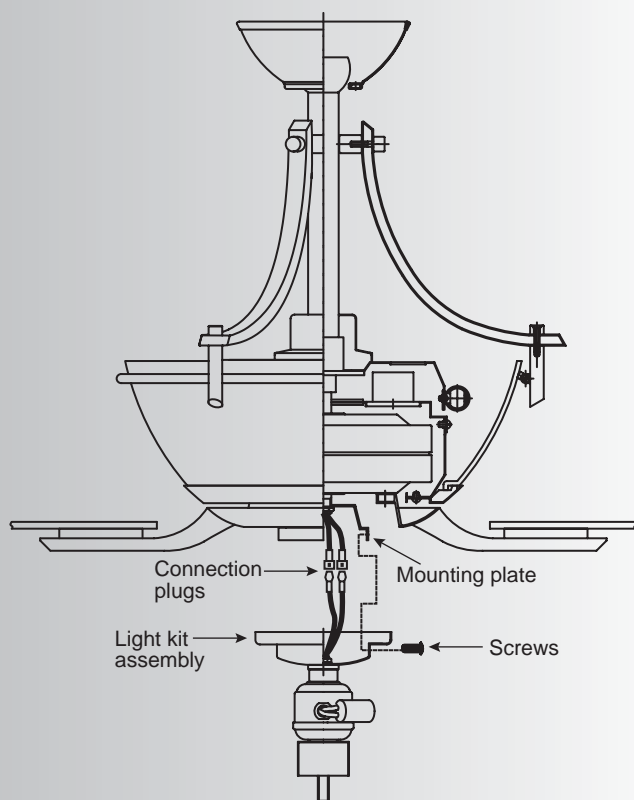


Fig. 1

2. INSTALLING THE LIGHT BULBS & GLASS SHADE

1. Install 3, 60 watt candelabra bulbs (not included). (Fig. 2)
2. Remove the decorative nut, glass cap and metal nut from the light kit. Place glass shade over the light kit stem, secure with the metal nut (rubber side on the top), glass cap and decorative nut. Do not overtighten. (Fig. 2)
3. Restore power only after installation is completed.

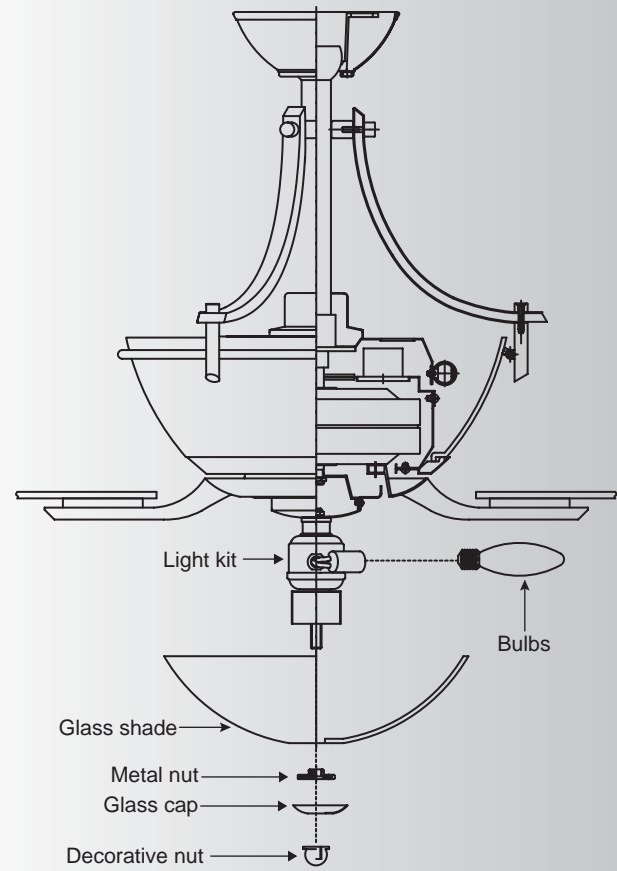


Fig. 2