



Sterling Manor 3 Light Fixture

A Kichler® Select™ light fixture

Designed to coordinate with a popular Kichler Select™ ceiling fan.

KICHLER
LIGHTING 

Kichler® Lighting
7711 East Pleasant Valley Road
P.O. Box 318010
Cleveland, Ohio 44131-8010

Customer Service
866.558.5706
8:30 AM to 5:00 PM EST,
Monday - Friday

Instruction Manual

KICHLER
LIGHTING 

**"CAUTION-RISK OF FIRE"
 CONSULT A QUALIFIED ELECTRICIAN TO
 ENSURE CORRECT BRANCH CIRCUIT
 CONDUCTOR.**

1. SAFETY RULES

WARNING! RISK OF ELECTRIC SHOCK

All electrical connections must be made in accordance with local codes, ordinances, or national codes. If you are unfamiliar with installing electrical wiring, secure the services of a qualified electrician. Before starting this installation, disconnect the power by turning off the circuit breaker at your main panel or removing the fuse at the fuse block. Turning the power off using the ceiling fan switch (speed control on/off) is not sufficient to prevent electrical shock.

NOTE: The important safeguards and instructions appearing in this manual are not meant to cover all possible conditions and situations that may occur. It must be understood that common sense, caution and care are factors which cannot be built into any product. These factors must be supplied by the person (s) caring for and operating the unit.

2. INSTALLING THE LIGHT KIT

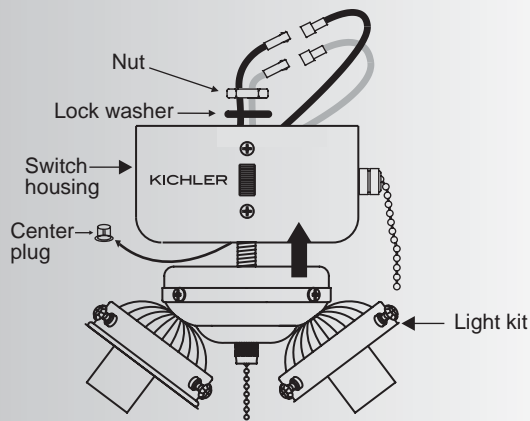


Fig. 1

1. Remove and discard the center plug from the switch housing. Attach the light kit to the switch housing by feeding the light kit wires (black and white) through the hole of switch housing and then screw it onto the switch housing by nut & lock washer. Be sure it is tight enough to prevent light kit from vibrating loose. (Fig. 1)
2. Locate two single white and blue wires in the switch housing labeled FOR LIGHT.
3. Make the polarized plug connections:
 - White to white
 - Blue to black

4. Raise and hold the light kit assembly close to the mounting plate. snap together the wire connection plugs. (Fig. 2)

5. Carefully push all wires back into the switch housing, then install the light kit assembly onto the mounting plate with 3 screws provided. Be sure to tighten all screws. (Fig. 2)

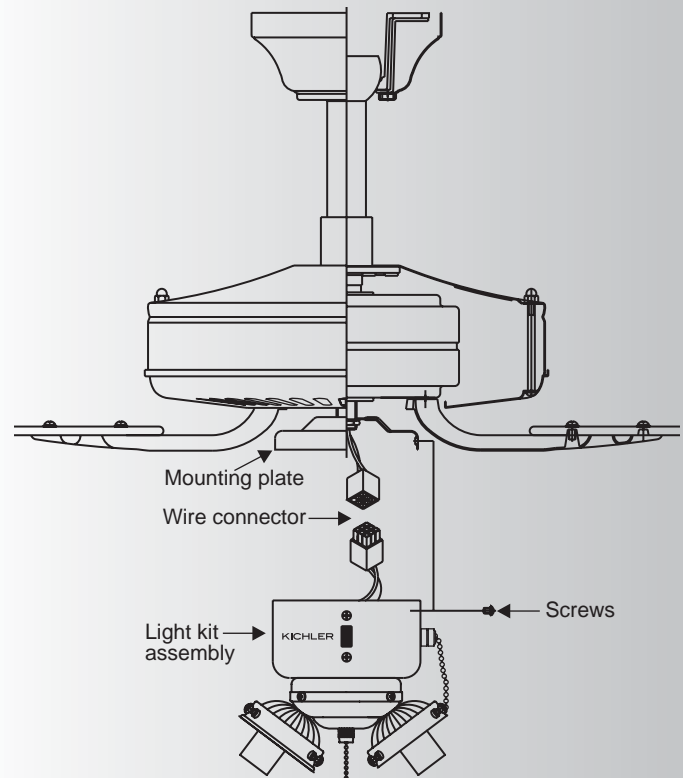


Fig. 2

3. INSTALLING THE GLASS SHADES & LIGHT BULBS

1. Mount the glass shades to the light fixture by unscrewing partway the thumbscrews on the glass holders, inserting the glass, then gently tightening the thumbscrews by hand evenly to the glass. DO NOT OVER TIGHTEN. (Fig. 3)

2. Install 3, 60 watt candelabra bulbs (not included). (Fig. 3)

3. Restore power only after installation is completed.

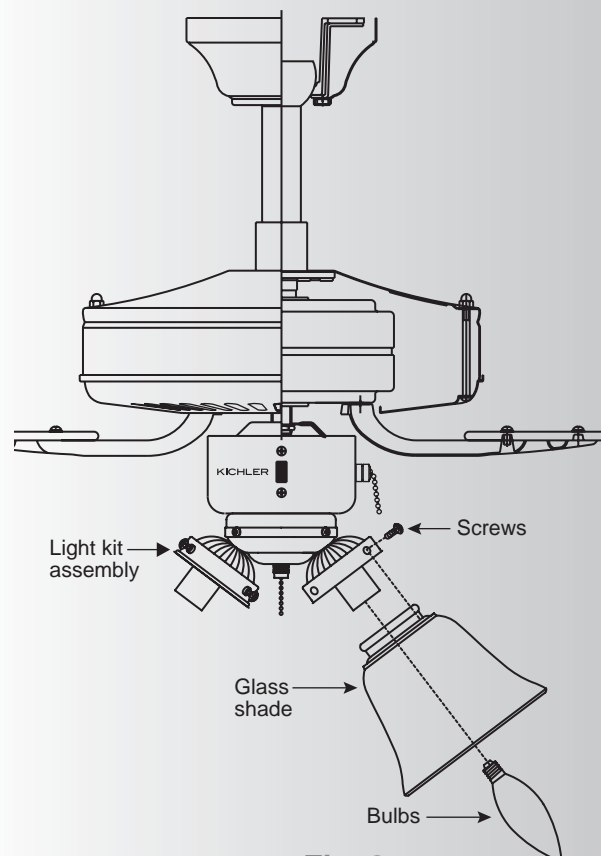


Fig. 3