

Sterling Manor Patio™ Light Fixture

A Kichler® Select™ light fixture

KICHLER
LIGHTING 

Kichler® Lighting
7711 East Pleasant Valley Road
P.O. Box 318010
Cleveland, Ohio 44131-8010

Customer Service
866.558.5706
8:30 AM to 5:00 PM EST,
Monday - Friday

Instruction Manual

KICHLER
LIGHTING 



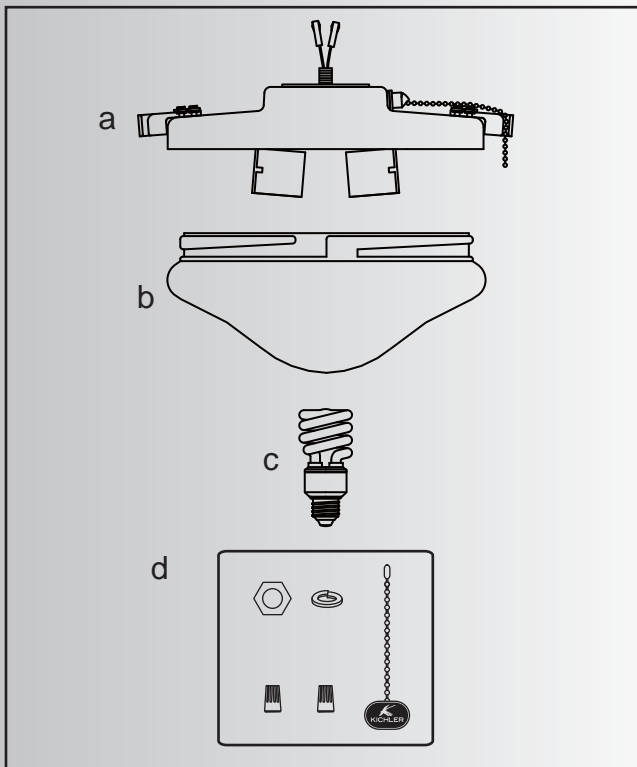
**"CAUTION-RISK OF FIRE"
CONSULT A QUALIFIED ELECTRICIAN TO
ENSURE CORRECT BRANCH CIRCUIT
CONDUCTOR.**

1. SAFETY RULES

WARNING! RISK OF ELECTRIC SHOCK

All electrical connections must be made in accordance with local codes, ordinances, or national codes. If you are unfamiliar with installing electrical wiring, secure the services of a qualified electrician. Before starting this installation, disconnect the power by turning off the circuit breaker at your main panel or removing the fuse at the fuse block. Turning the power off using the ceiling fan switch (speed control on/off) is not sufficient to prevent electrical shock.

NOTE: The important safeguards and instructions appearing in this manual are not meant to cover all possible conditions and situations that may occur. It must be understood that common sense, caution and care are factors which cannot be built into any product. These factors must be supplied by the person (s) caring for and operating the unit.



2. PACKAGE CONTENTS

Unpack your fan and check the contents. You should have the following items:

- a. Light fixture
- b. Glass shade
- c. 2, 13 watt E26 compact fluorescent lamps
- d. Part bag contents:
 - Nut
 - Spring washer
 - Pull chain and fob
 - wire nuts (2)

3. INSTALLING THE LIGHT KIT

1. Remove and discard the center plug from the switch housing. Attach the light kit to the switch housing by feeding the light kit wires (black and white) through the hole in the center of the switch housing, then screw the light kit onto the switch housing.

Attach the nut & lock washer on the inside of the switch housing making sure the light kit is secure to prevent movement after installation. (Fig. 1)

2. Locate the white and blue wires inside the switch housing labeled FOR LIGHT.

3. Attach the wires from the light kit to the wires inside the switch housing by pushing the polarized connections together.

- White wire to White wire
- Black wire to Black wire

4. Raise and hold the light kit assembly close to the mounting plate of the ceiling fan. Push the square wire connectors together. (Fig. 2)

NOTE: The square connectors are color coded. Match the color coded sides of each plug and push. They will attach **ONLY** when matched correctly.

5. Carefully push all wires back into the switch housing, then install the light kit assembly onto the mounting plate with 3 screws provided. Be sure to tighten all screws. (Fig. 2)

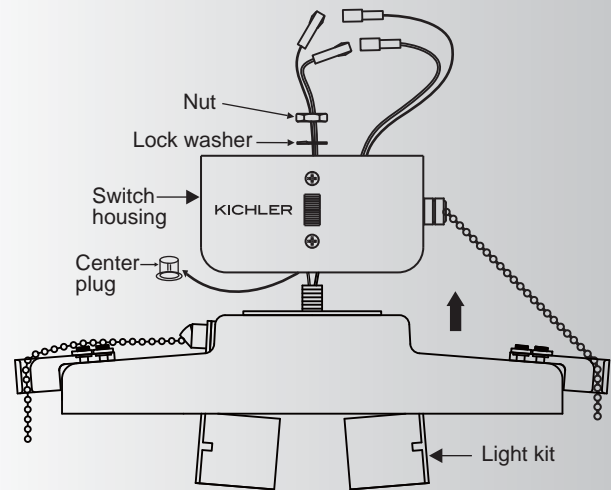


Fig. 1

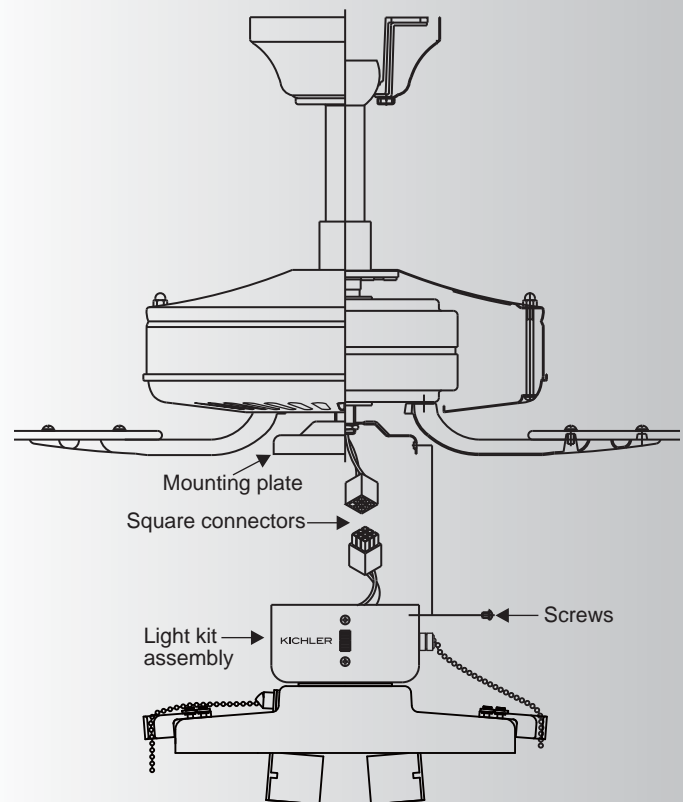


Fig. 2

4. INSTALLING THE LIGHT BULBS & GLASS SHADE

1. Install both of the 13 watt E26 compact fluorescent lamps (provided), one in each fixture socket. (Fig. 3)

2. Mount the glass shade to the light kit by turning the glass shade clockwise. **DO NOT OVER TIGHTEN.** (Fig. 3)

3. Your installation is now complete. Restore electrical power and enjoy your new ceiling fan light kit.

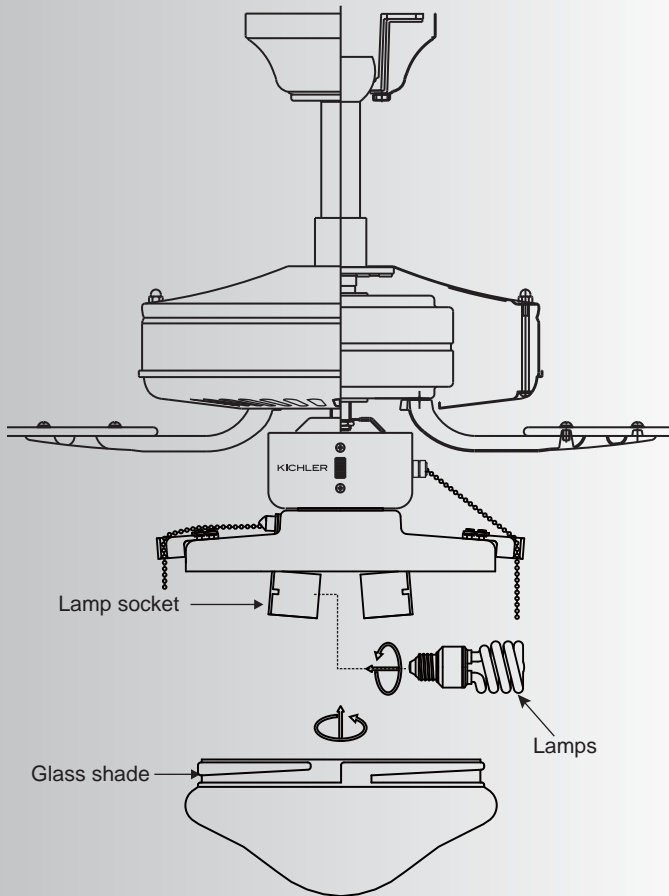


Fig. 3