



## SHAWS ORIGINAL 2-BOWL FIRECLAY FLUTED APRON SINK

Shaws Original Sinks

**RC3918**

### FEATURES

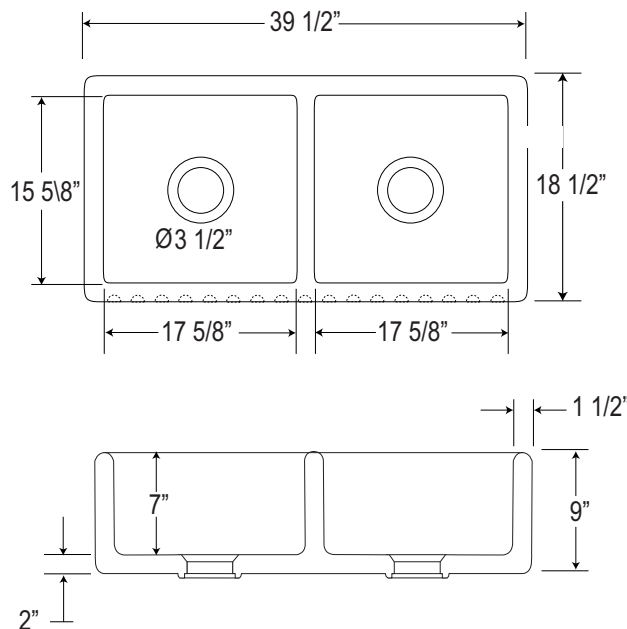
- Standard 3 1/2" drain openings
- Acid and alkali resistant glazed surfaces
- Designed to withstand heavy use
- Sink measures 39 1/2" x 18 1/2"
- Due to  $\pm 2\%$  dimensions, it is recommended that the cabinet maker wait until your sink is delivered to make the cabinet
- No template available
- 7" inside internal depth
- Weight 175 lbs.
- Centrally positioned drains
- Includes "Shaws Original" badges

### COLORS/FINISHES

- White
- Biscuit

### WARRANTY

- 1 year on manufacturing defects
- 10 years on fading/staining



**RC3918**

**"Shaw's Original" Fluted Two-Bowl Fireclay Kitchen Sink**

**"Shaw's Original" Sinks**

There is no recommended method of fitting a Shaws Original Sink.

Because of the plus or minus 2% dimension possibility of a hand made product, it is recommended that the cabinet maker wait until your sink is delivered to make the cabinet or counter top.

There is no standard fitting framework or support brackets. The cabinet should be reinforced to hold a 135 lb. to 175 lb. sink, plus the weight of water. Typically, this involves a timber supporting frame with 3/4" plywood deck, or even brick plinth; suitably sized to satisfy the specific requirements.

The apron is usually extended 1" to 2" from the front of the cabinet. We see the sink under mounted under the counter top material most of the time, but it can be flush mounted or even raised above the counter top. Historically, the fitting of fireclay sinks was dictated by the site and usage requirements, with the plumber/installer making the necessary provisions to support the sink.