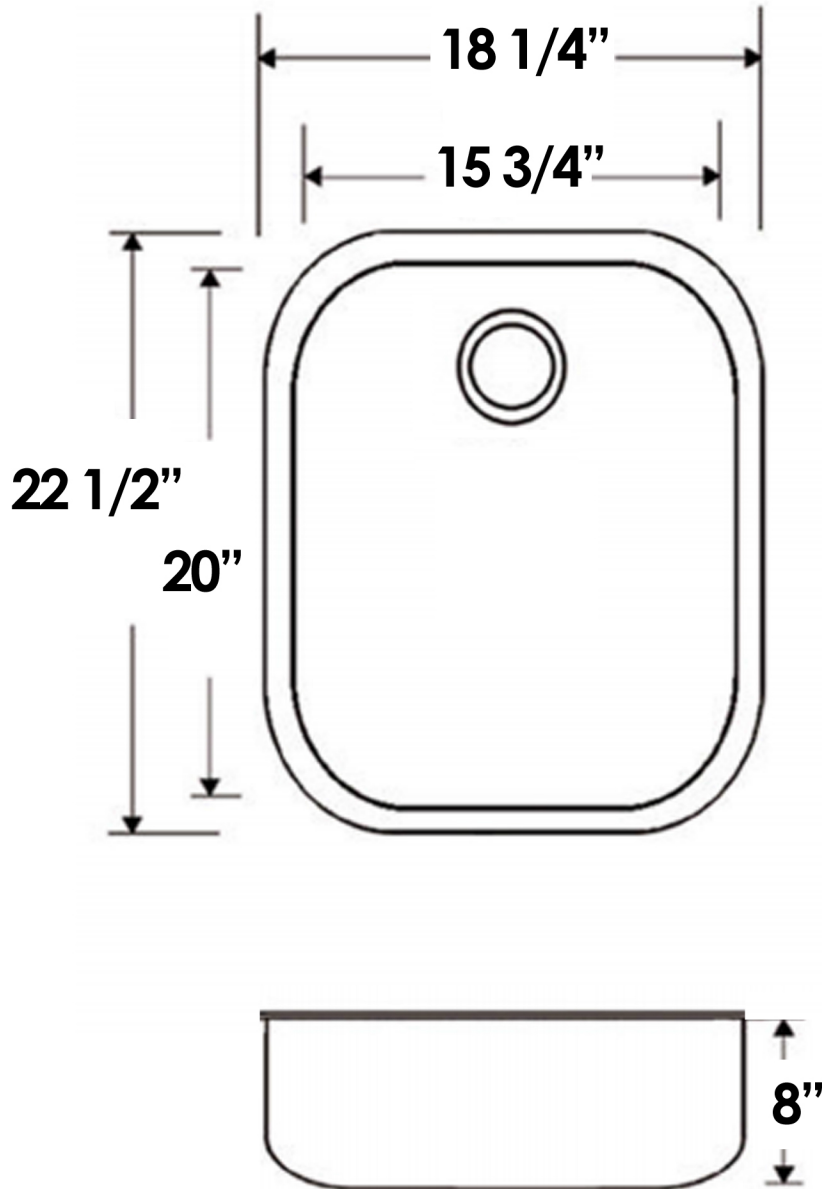


**WHE1822**



\*As Whitehaus Collection® Farmhaus Fireclay Sinks are individually handmade, sink sizes can vary and all dimensions are approximate. We strongly recommend that your sink be supplied to your cabinetmaker prior to the fabrication of your kitchen cabinets and countertops. Cutouts are not to be made until they are checked against your sink. Whitehaus Collection® recommends the use of a protective grid in the bottom of the sink to avoid potential scuffing from heavy-duty cookware.

**LIVE WITH STYLE!**