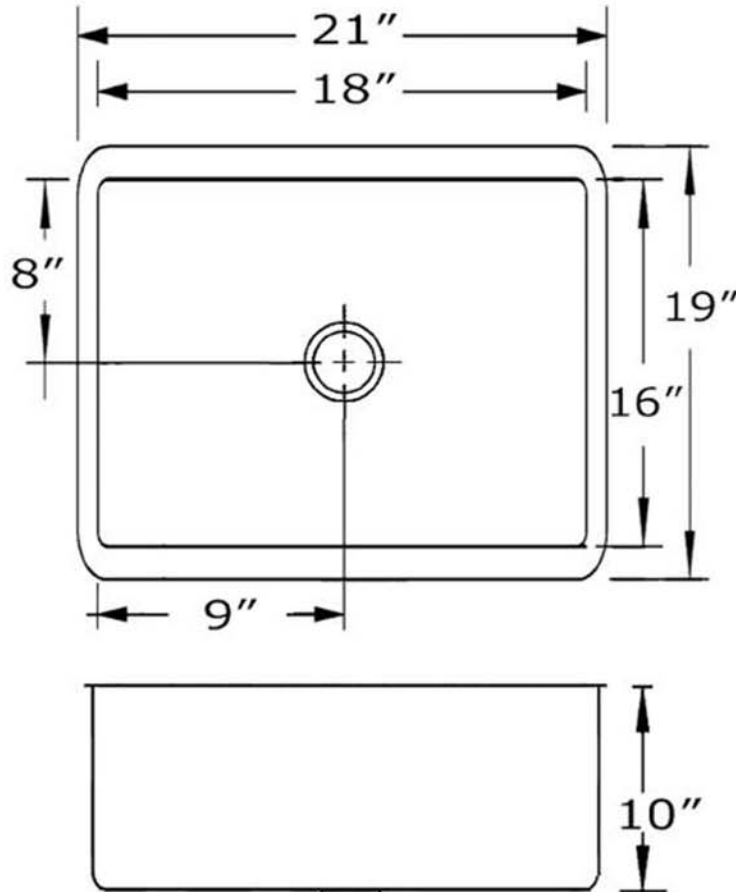


WH1921COUM



Please note that since each Copperhaus sink is handmade, there will be slight variations in color, texture, and size. We recommend the sink to be on-site when ordering or manufacturing cabinets- adjustments to the cabinet size may be necessary. Even though these sinks are slightly pitched, the water may not drain completely and should be wiped out with a sponge after each use.

**LIVE WITH STYLE!**